



NM-LCF78-C03

N Male Connector for 7/8" Coaxial Cable, OMNI FIT™ standard, O-ring sealing



OMNI FIT™ high performance connectors are designed for use with both CELLFLEX® (copper) and CELLFLEX® Lite (aluminum) cables. They are designed specifically to provide the highest quality connector-cable interface while simplifying and speeding up connector attachment.

Features / Benefits

- Cost effective two-piece design for safe and easy installation
- Compatible with copper and aluminium cable types i.e. one connector for both outer conductor materials eliminates the risk of faulty connector installation and helps to keep inventory down
- Robust mechanical design for low and consistent intermodulation performance i.e. keeps the mobile network performance up reduces the number of dropped calls and avoids revenue losses
- Superior electrical performance for consistent and repeatable VSWR i.e. ensure network system performance
- Waterproof to IP 68 i.e. no downtime risk, secures revenue
- RoHS (EU) and CRoHS (China) compliant i.e. can be used on a global basis

Technical Features

STRUCTURE

Cable Type	LCF	
Cable Size	7/8"	
Qualified Cable Types	LCF78-50JA / JFNA	LCF78-50JA / JFNA-ECO
Model Series	C03 Standard Series	
Connector Interface Size	N	
Connector Interface Gender	Male	

MECHANICAL SPECIFICATIONS

Connector Length	62.7mm (2.47in)
Connector Outer Diameter	35.5mm (1.4in)
Inner Conductor Material / Coating	Brass Alloy / Silver Plated
Outer Conductor Material / Coating	Brass Alloy / Trimetal Plated
Insulation Material	TPX / PTFE
Sealing Method	O-Ring

ELECTRICAL SPECIFICATIONS

Nominal Impedance	50 Ω	
Connector Frequency Range	DC - 5.0 GHz GHz	
PIM Ratio (2 x 20 W Carrier)	-157 dBc	
PIM ratio Typical (2 x 20 W Carrier)	-160 dBc	
Frequency Range	VSWR	Return Loss
0 < f ≤ 1.0 GHz	1.03	36.6
1.0 < f ≤ 2.7 GHz	1.04	34.1
2.7 < f ≤ 3.7 GHz	1.08	28.3
3.7 < f ≤ 5.0 GHz	1.15	23.1
5.0 < f ≤ 6.0 GHz	1.25	19.1



NM-LCF78-C03

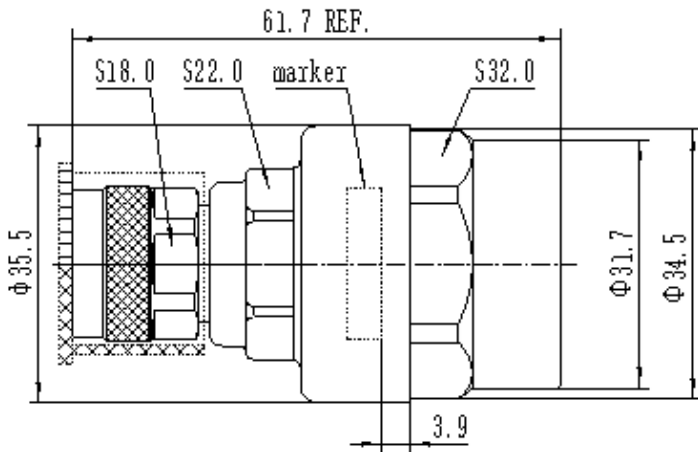
N Male Connector for 7/8" Coaxial Cable, OMNI FIT™ standard, O-ring sealing

TESTING AND ENVIRONMENTAL

Ingress Protection (IP) Rating	IP68
--------------------------------	------

ACCESSORIES

Wrench Size Connector Interface	18mm (0.71in)
Wrench Size Connector Front Part	22mm (0.87in)
Wrench Size Connector Rear Part	32mm (1.26in)
Trimming Tool	TRIM-SET-L78-C02



Related Documents



Installation Instruction **-LCF78-C03
Installation Instructions