



43MR-SCF12-C03

4.3-10 Right Angle Male Connector for 1/2" SuperFlexible Cable, OMNI FIT™ standard



OMNI FIT™ high performance connectors are designed for use with both CELLFLEX® (copper) and CELLFLEX® Lite (aluminum) cables. They are designed specifically to provide the highest quality connector-cable interface while simplifying and speeding up connector attachment. All RFS connectors are fully tested for mechanical and electrical compliance to industry specifications. The 4.3-10 connector is an innovative, space-saving RF connection meeting all requirements even under the most severe environmental conditions and not relying on coupling nut torque to meet PIM performance.

Features / Benefits

- Cost effective two-piece design for safe and easy installation
- Robust mechanical design for low and consistent intermodulation performance i.e. keeps the mobile network performance up, reduces the number of dropped calls and avoids revenue losses
- Standard electrical performance for consistent and repeatable VSWR i.e. ensure network system performance
- Waterproof to IP 68 i.e. no downtime risk, secures revenue
- RoHS (EU) compliant i.e. can be used on a global basis

Technical Features

STRUCTURE

Cable Type	SCF
Cable Size	1/2"
Qualified Cable Types	SCF12-50J / JFN
Model Series	C03 Standard Series
Connector Interface Size	4.3-10
Connector Interface Gender	Male

MECHANICAL SPECIFICATIONS

Connector Length	56.8mm (2.236in)
Connector Outer Diameter	36.4mm (1.433in)
Inner Conductor Material / Coating	Brass Alloy / Silver Plated
Outer Conductor Material / Coating	Brass Alloy / Trimetal Plated
Insulation Material	TPX / PTFE
Sealing Method	O-Ring

ELECTRICAL SPECIFICATIONS

Nominal Impedance	50 Ω	
Connector Frequency Range	DC - 6.0 GHz GHz	
PIM Ratio (2 x 20 W Carrier)	-162 dBc	
PIM ratio Typical (2 x 20 W Carrier)	-166 dBc	
Frequency Range	VSWR	Return Loss
0 < f ≤ 2.2 GHz	1.04	34.1
2.2 < f ≤ 2.7 GHz	1.06	30.7
2.7 < f ≤ 3.7 GHz	1.13	24.3
3.7 < f ≤ 5.0 GHz	1.2	20.8
5.0 < f ≤ 6.0 GHz	1.33	17



43MR-SCF12-C03

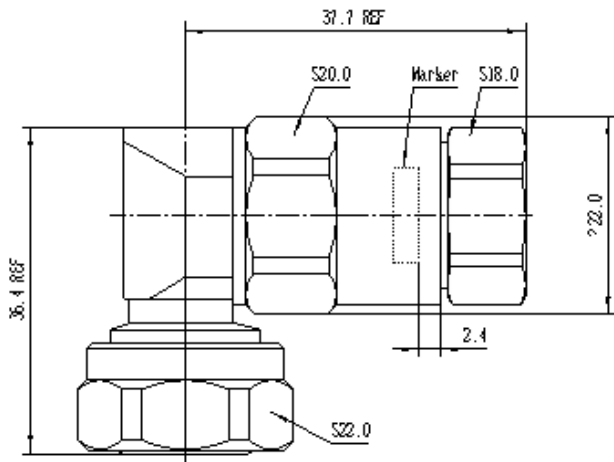
4.3-10 Right Angle Male Connector for 1/2" SuperFlexible Cable, OMNI FIT™ standard

TESTING AND ENVIRONMENTAL


Ingress Protection (IP) Rating	IP68
--------------------------------	------

ACCESSORIES

Wrench Size Connector Interface	22mm (0.866in)
Wrench Size Connector Front Part	20mm (0.787in)
Wrench Size Connector Rear Part	18mm (0.709in)
Trimming Tool	TRIM-SET-S12-C02



Related Documents

 **Application Note**
External Datasheet

 **Installation Instruction **-SCF12-C03**
Installation Instructions