

RACON vertical adapter, 12.5 mm x 10 mm, for RACON 8

Description



technical data

> general

Feature	for RACON 8
Color	white
illuminated	No
Packaging unit	100 pcs.
Net weight	0.7 g
Minimum order quantity (MOQ)	600 pcs.
RoHS compliant	Yes
REACH compliant	Yes
Component material	Plastic
Country of origin	DE

direct links

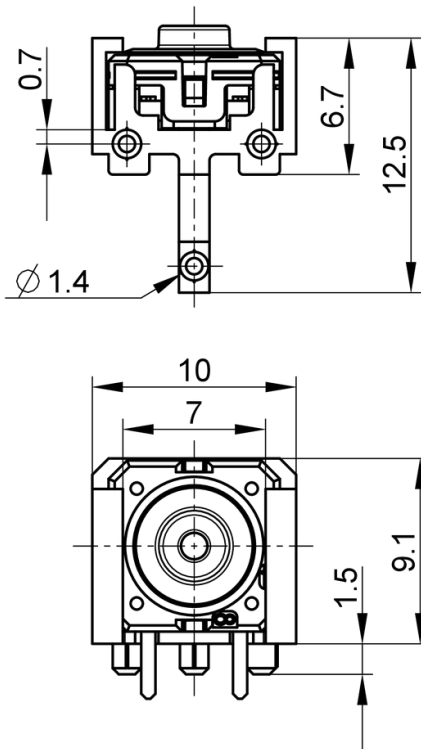
> [RAFI eCatalog](#)

> mounting diameters

Outside dimension, length	12.5 mm
Outside dimension, width	10 mm
Outside dimension, height	10.6 mm

drawings

System drawing



PCB drawing

