

MICON 5, round plunger 14.5 mm, GH 9.7 mm



Description

The wide selection of standard plungers in different shapes and colors guarantees a versatile range of applications for the MICON 5 tactile switch.

technical data

> general

Color	white
Collar shape	round
illuminated	No
Packaging unit	500 pcs.
Net weight	0.3 g
Minimum order quantity (MOQ)	1,000 pcs.
RoHS compliant	Yes
REACH compliant	Yes
Component material	Plastic
Country of origin	DE

direct links

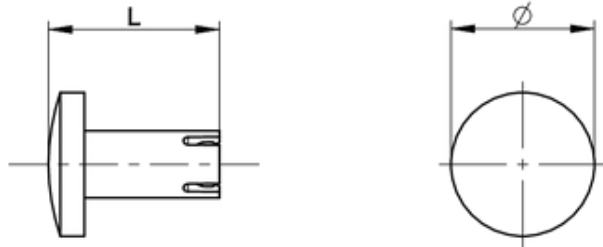
> [RAFI eCatalog](#)

> mounting diameters

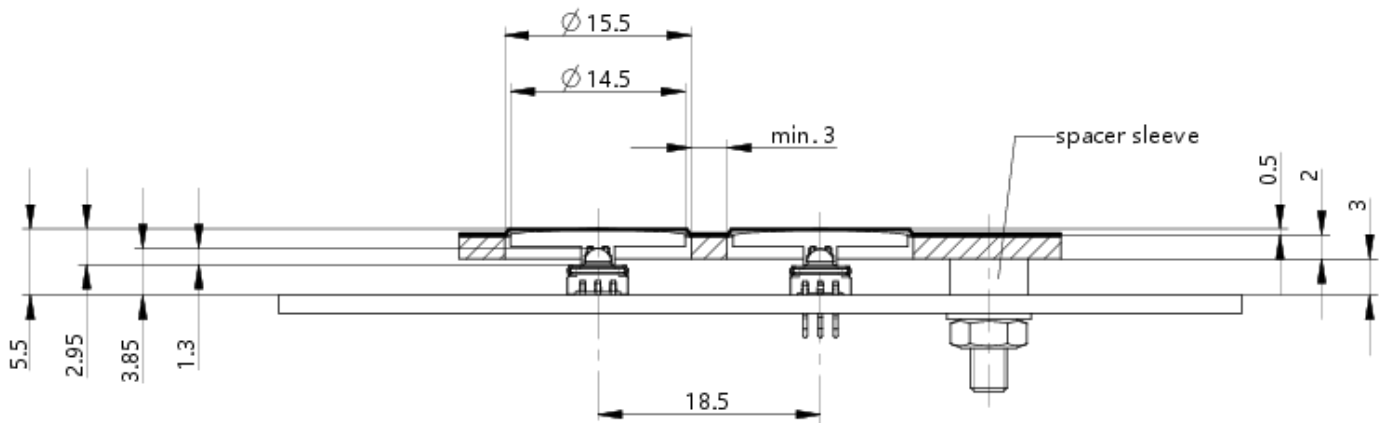
Outside dimension, length	7.15 mm
Outside dimension, width	14.5 mm
Outside dimension, height	14.5 mm
Plunger length L	7.15 mm
Support height A	2.55 (SMT) / 2.5 (THT) mm
Total height GH	9.7 mm

drawings

Dimensioned drawing

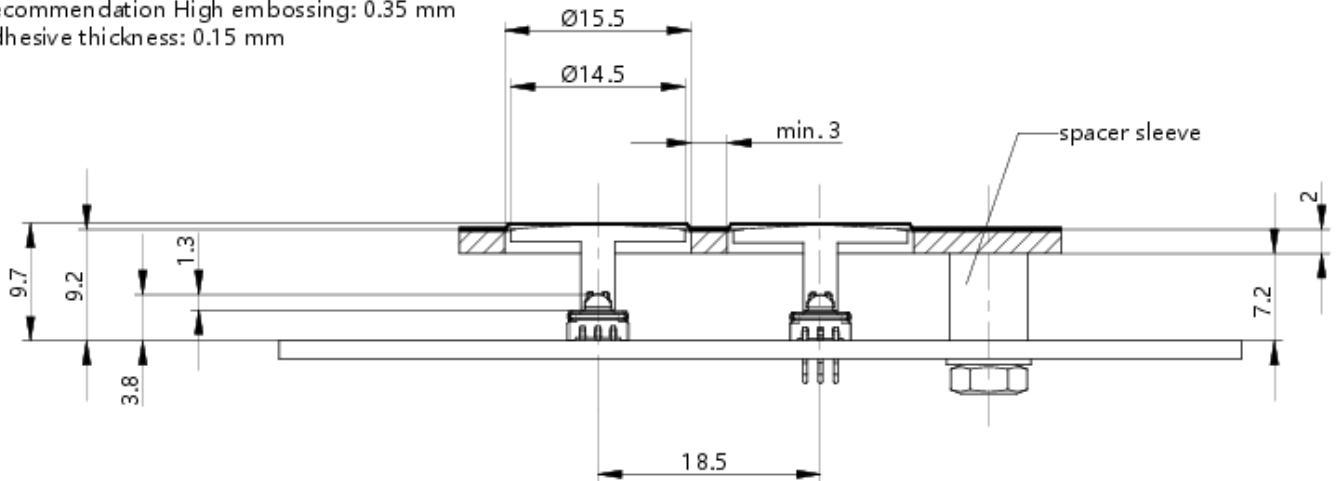


System drawing



System drawing

Recommendation High embossing: 0.35 mm
Adhesive thickness: 0.15 mm



System drawing

suggestion
high embossing: 0.35 mm
adhesive thickness: 0.15 mm

