

RAFIX 16, label holder, for square alignable collar, tall

Description



technical data

> general

Feature	for square alignable collar tall
Packaging unit	10 pcs.
Net weight	1.6 g
Minimum order quantity (MOQ)	10 pcs.
RoHS compliant	Yes
REACH compliant	Yes
Country of origin	DE

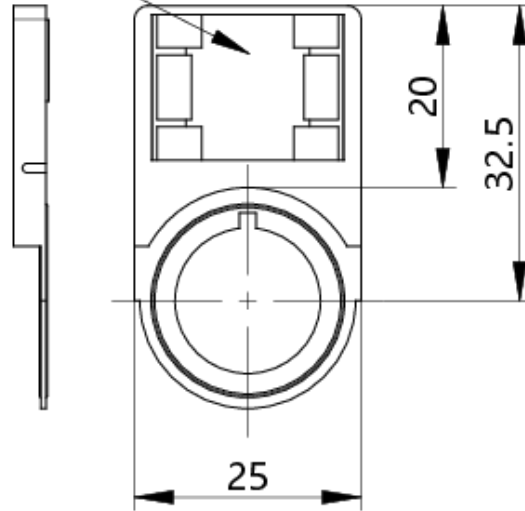
direct links

> [RAFI eCatalog](#)

drawings

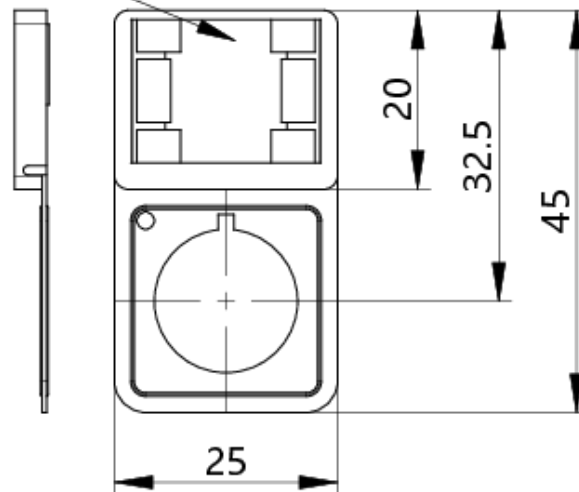
Dimensioned drawing

Recess for inscription label 23 x 16

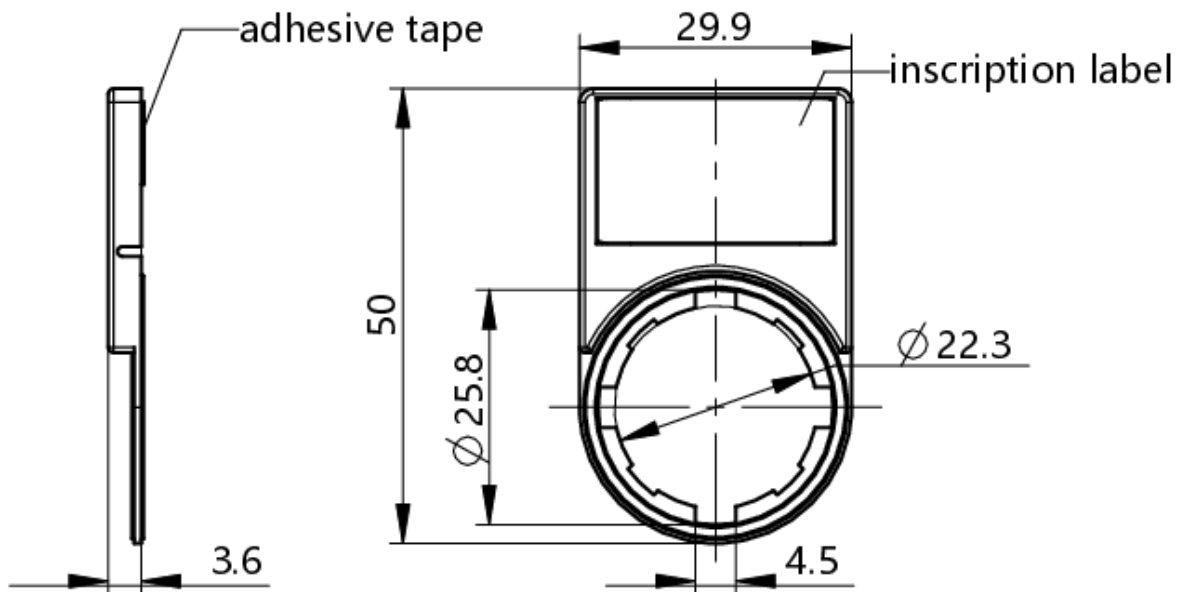


Dimensioned drawing

Recess for inscription label 23 x 16



Dimensioned drawing



Dimensioned drawing

