

## RAFIX 16, label holder, for round collar, with adhesive tape on the back, flat

---



### Description

### technical data

---

#### > general

Feature	for round collar with adhesive tape on the back flat
Packaging unit	10 pcs.
Net weight	1.3 g
Minimum order quantity (MOQ)	10 pcs.
RoHS compliant	Yes
REACH compliant	Yes
Country of origin	DE

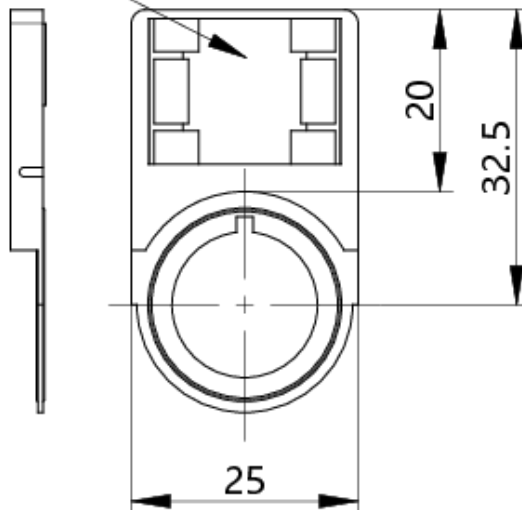
#### direct links

> [RAFI eCatalog](#)

**drawings**

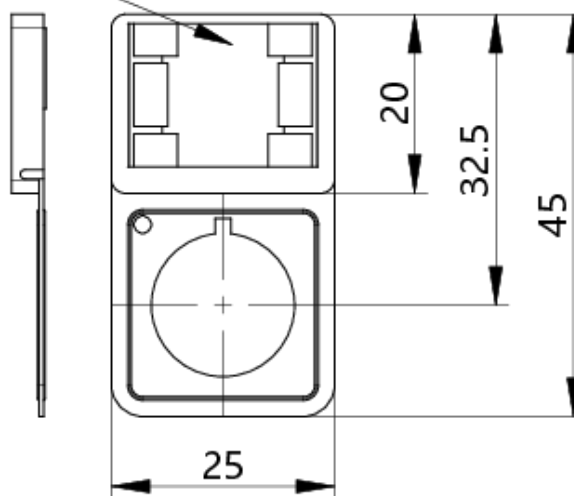
**Dimensioned drawing**

Recess for inscription label 23 x 16

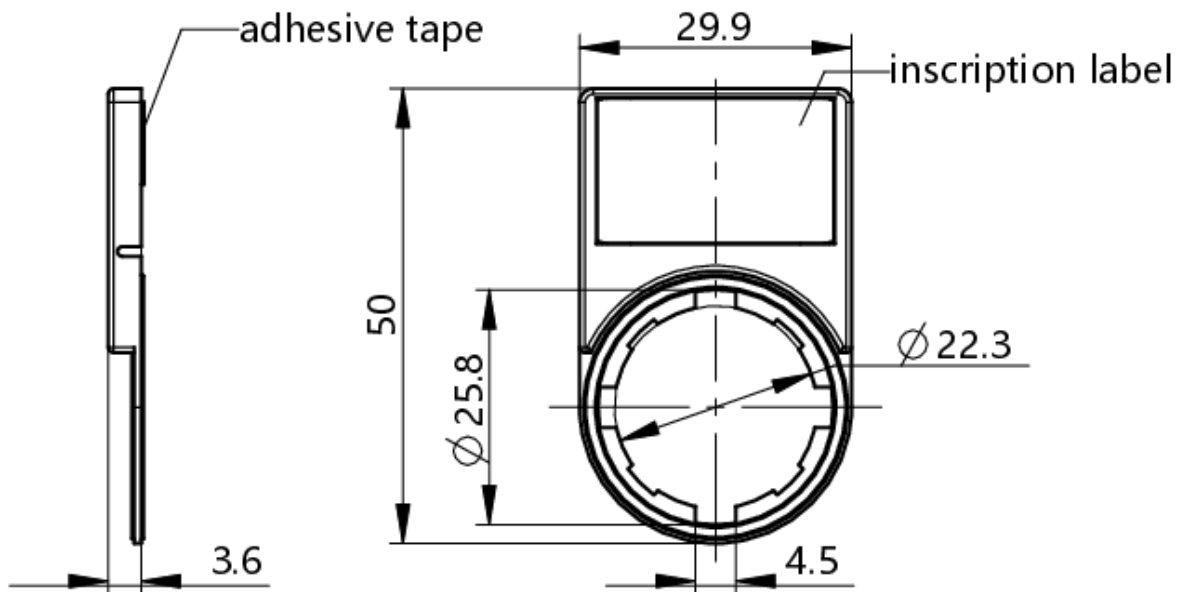


**Dimensioned drawing**

Recess for inscription label 23 x 16



**Dimensioned drawing**



**Dimensioned drawing**

