

RAFIX 22 FS⁺, RAMO 22, blanking caps, slate gray



Description

The design of the product is adapted to the "RAFIX 22 FS+" series as well as to "RAMO 20" and fits harmoniously into the overall appearance of the front panel.

Blanking plugs are used for installation in mounting holes in the front panel that are not required.



technical data

> general

Bezel color	slate gray
Collar shape	square
Operating temperature, min.	-25 °C
Operating temperature, max.	70 °C
Storage temperature, min.	-40 °C
Storage temperature, max.	80 °C
illuminated	No
Packaging unit	10 pcs.
Net weight	6 g
Degree of protection, front side, according to DIN EN 60529	IP65
Minimum order quantity (MOQ)	10 pcs.
RoHS compliant	Yes
REACH compliant	Yes
Country of origin	DE

direct links

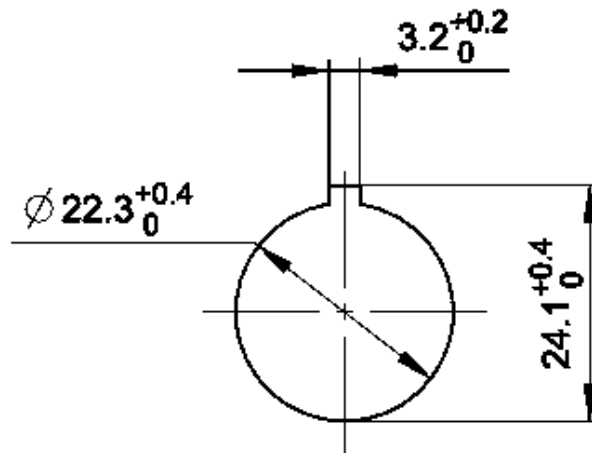
> [RAFI eCatalog](#)

> mounting diameters

Outside dimension, length	29.8 mm
Outside dimension, width	29.8 mm
Outside dimension, height	12.7 mm
Mounting hole	22.3 mm

> mechanical data

Fixing	Threaded ring
Threaded ring torque, max.	1.2 Nm

drawings**Mounting hole drawing**

acc. to IEC 60947-5-1