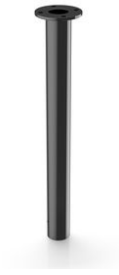


## TILTED DIAMOND+ support tube, black, L 250 mm



### Description

The holder tubes in various lengths and shapes, together with the mounting base, enable diverse mounting options for the TILTED DIAMOND+ variants. The mounting tubes are also used for the KIS.LIGHT and the TILTED DIAMOND+ IO-LINK. This allows the signal lights to be mounted easily and clearly even in remote or out-of-the-way locations.

The mounting tubes are connected to the mounting base by a threaded pin. The material is black coated steel. The holder tubes and the mounting base have environmental resistance, which is certified according to IEC 60068-2.

### technical data

#### > general

|                              |                                  |
|------------------------------|----------------------------------|
| Color                        | black                            |
| Packaging unit               | 1 pcs.                           |
| Net weight                   | 325 g                            |
| Environment resistance       | IEC 60068-2-27<br>IEC 60068-2-64 |
| Minimum order quantity (MOQ) | 1 pcs.                           |
| RoHS compliant               | Yes                              |
| REACH compliant              | Yes                              |
| Component material           | Metall                           |
| Country of origin            | DE                               |

#### direct links

> [RAFI eCatalog](#)

#### > mounting diameters

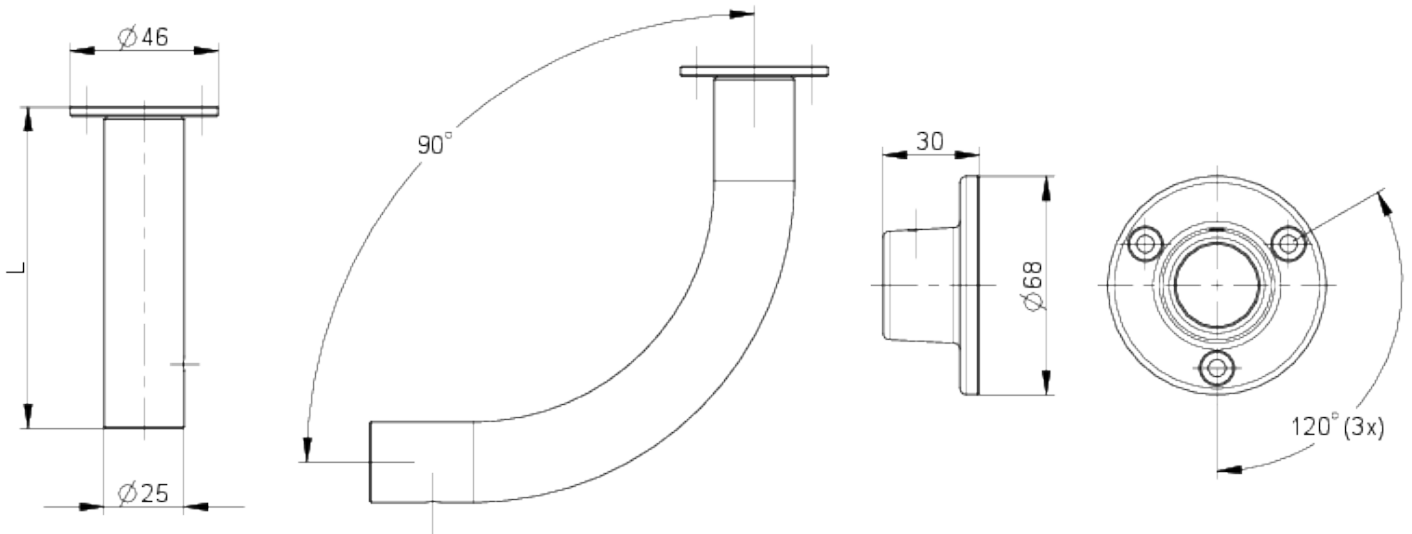
|                           |        |
|---------------------------|--------|
| Outside dimension, length | 250 mm |
| Outside dimension, width  | 46 mm  |

#### > mechanical data

|        |       |
|--------|-------|
| Fixing | Screw |
|--------|-------|

**drawings**

**Dimensioned drawing**



**System drawing**

