

MICON 5, square plunger 14.5 mm, mechanical stop limit, blue, GH 12.5 mm



Description

The wide selection of standard plungers in different shapes and colors guarantees a versatile range of applications for the MICON 5 tactile switch.

technical data

> general

Bezel color	blue
illuminated	Yes
Packaging unit	100 pcs.
Net weight	0.9 g
Minimum order quantity (MOQ)	100 pcs.
RoHS compliant	Yes
REACH compliant	Yes
Country of origin	HU

direct links

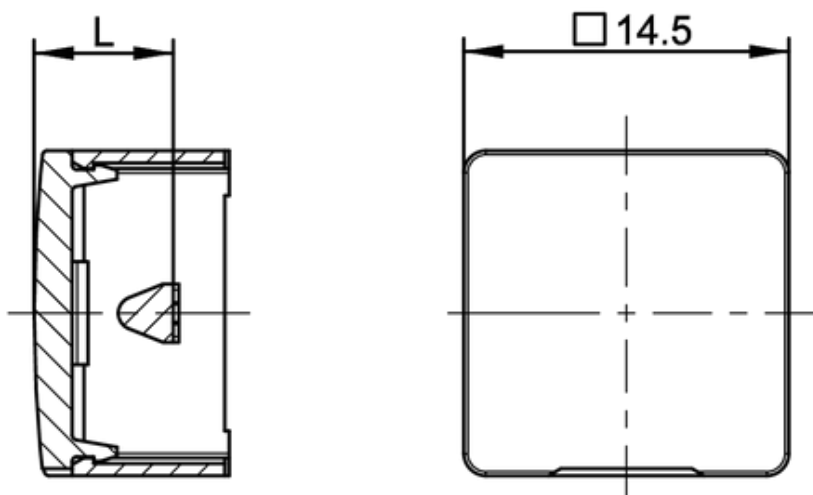
> [RAFI eCatalog](#)

> mounting diameters

Outside dimension, length	11.65 mm
Outside dimension, width	14.5 mm
Outside dimension, height	14.5 mm
Plunger length L	9.15 mm
Support height A	3.35 mm
Total height GH	12.5 mm

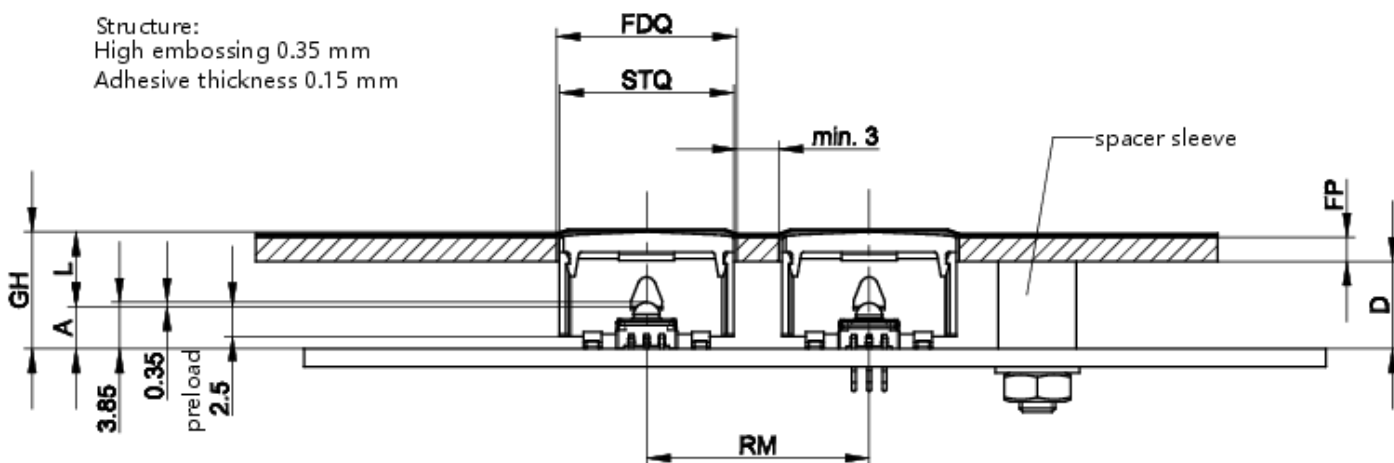
drawings

Dimensioned drawing



System drawing

Structure:
High embossing 0.35 mm
Adhesive thickness 0.15 mm



$GH=A+L$

PCB drawing

View without front panel,
foil and screen

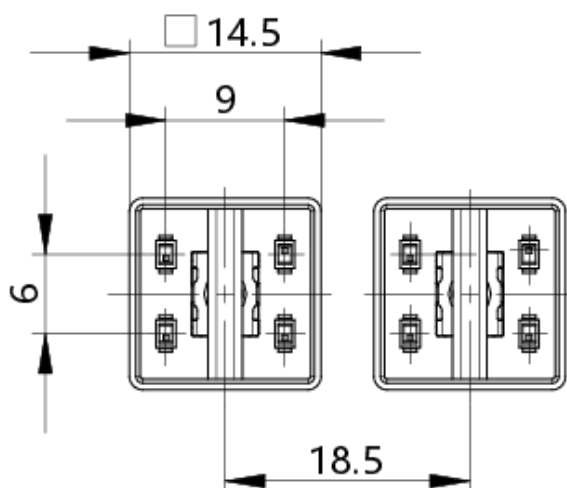


Illustration with 4 LED OSRAM LO M676-Q1R1-24

PCB drawing

View without front panel,
foil and screen

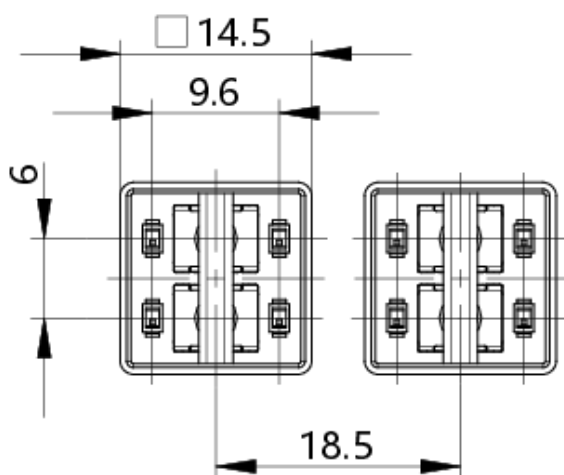


Illustration with 4 LED OSRAM LO M676-Q1R1-24