

## RAFIX FS technology, short-travel adapter, 1mm



### Description

The short-travel adapter can be combined with all MICON 5 standard models. The operating life specification applies in combination with MICON 5 variant 1.14.002.101/0000 and 1.14.005.101/0000.



### technical data

#### > general

illuminated	Yes
Packaging unit	10 pcs.
Net weight	1.6 g
Operating life	1,000,000 cycles
B10	1,300,000 cycles
Minimum order quantity (MOQ)	10 pcs.
RoHS compliant	Yes
REACH compliant	Yes
Country of origin	HU

#### direct links

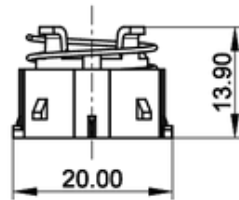
> [RAFI eCatalog](#)

#### > mounting diameters

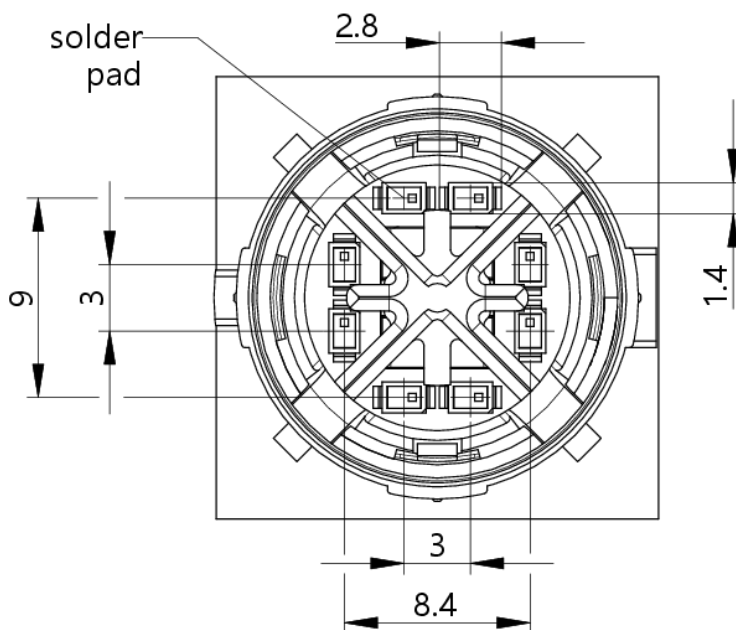
Outside dimension, length	20 mm
Outside dimension, width	20 mm
Outside dimension, height	13.9 mm

**drawings**

**Dimensioned drawing**

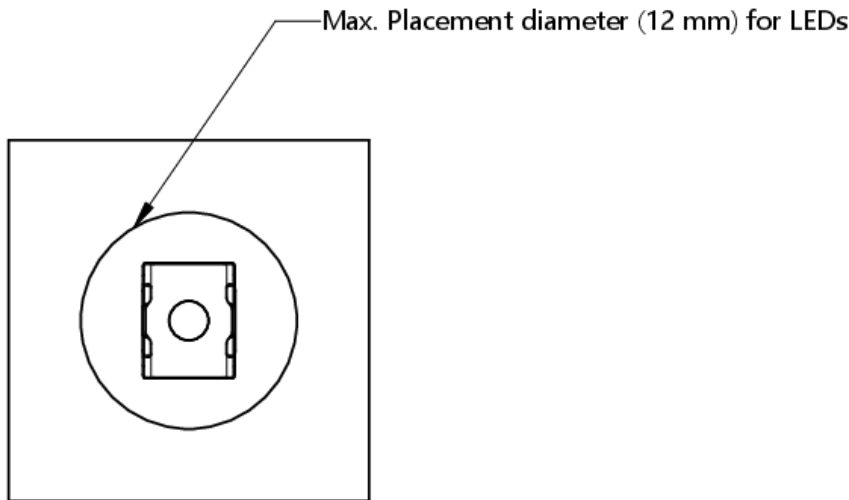


**PCB drawing**



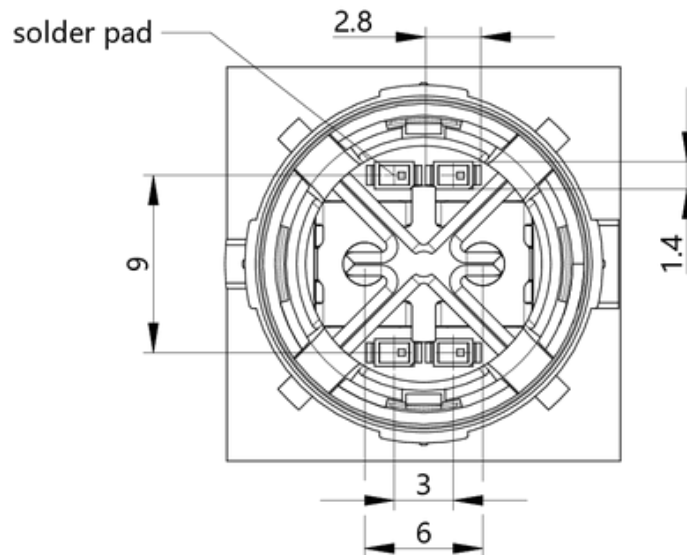
The maximum height of the LED must not exceed 2.4mm

PCB drawing



The maximum height of the LED must not exceed 2.4mm

PCB drawing



The maximum height of the LED must not exceed 2.4mm

The MICON 5 with part number: 1.14.002.201/0000 or 1.14.005.201/0000 must always be used for a redundant setup