

MICON 5, ring lighting plunger, D 23.7 mm

Description



The wide selection of standard plungers in different shapes and colors guarantees a versatile range of applications for the MICON 5 tactile switch.

The non-illuminated standard plunger is already included in the scope of delivery for ring illumination.

technical data

> general

| | |
|------------------------------|----------|
| illuminated | Yes |
| Packaging unit | 100 pcs. |
| Net weight | 2.4 g |
| Minimum order quantity (MOQ) | 100 pcs. |
| RoHS compliant | Yes |
| REACH compliant | Yes |
| Country of origin | DE |

direct links

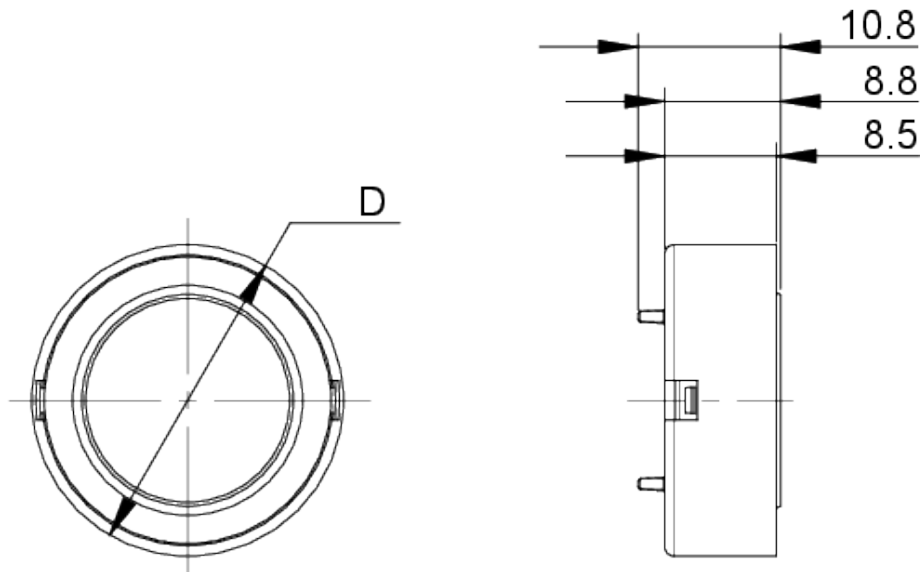
> [RAFI eCatalog](#)

> mounting diameters

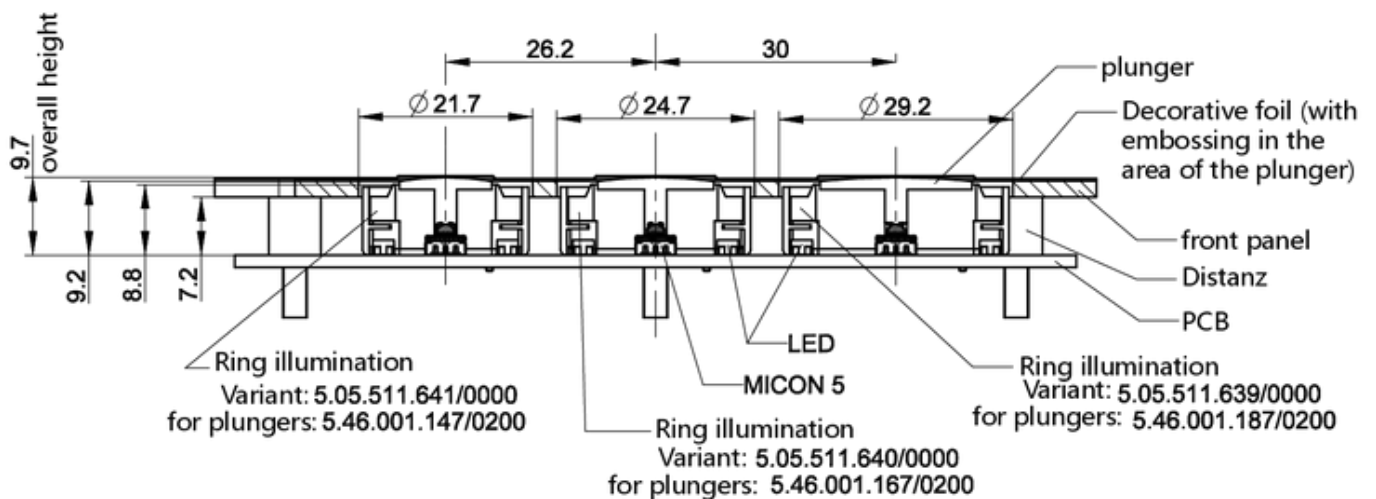
| | |
|---------------------------|---------|
| Outside dimension, length | 10.8 mm |
| Outside dimension, width | 23.7 mm |
| Outside dimension, height | 23.7 mm |

drawings

Dimensioned drawing



System drawing



PCB drawing

