

RAFIX 30 FS⁺, RAMO 30, blanking caps, stainless steel

Description

The design of the stainless steel product is adapted to the "RAFIX 30 FS+" series as well as to "RAMO 30" and fits harmoniously into the overall appearance of the operating front panel. It can also be used with pre-assembled PCB switching elements "RAFIX 22 FS+".

Blanking plugs are used for installation in mounting holes in the front panel that are not required.



technical data

> general

Bezel color	stainless steel
Collar shape	round
Operating temperature, min.	-25 °C
Operating temperature, max.	70 °C
Storage temperature, min.	-40 °C
Storage temperature, max.	80 °C
illuminated	No
Packaging unit	10 pcs.
Net weight	26 g
Degree of protection, front side, according to DIN EN 60529	IP65 IP67
Minimum order quantity (MOQ)	10 pcs.
RoHS compliant	Yes
REACH compliant	Yes
Country of origin	DE

direct links

> [RAFI eCatalog](#)

> mounting diameters

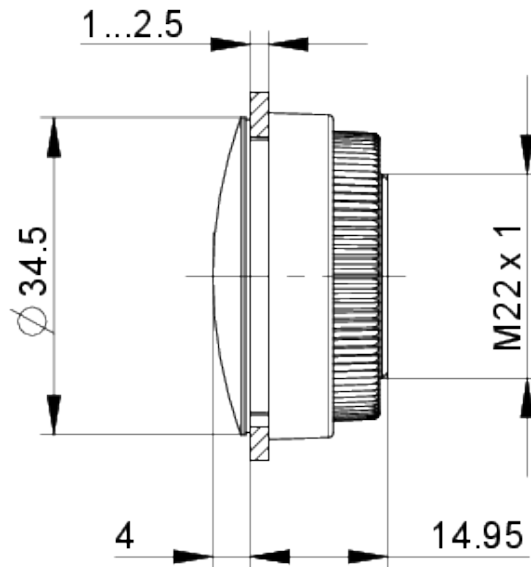
Outside dimension, length	34.5 mm
Outside dimension, width	34.5 mm
Outside dimension, height	18.95 mm
Mounting hole	30.3 mm

> mechanical data

Fixing	Threaded ring
Threaded ring torque, max.	1.2 Nm

drawings

Dimensioned drawing



Mounting hole drawing

