

MICON 5, indicator field plunger, L 18 mm, 1-part



Description

The wide selection of standard plungers in different shapes and colors guarantees a versatile range of applications for the MICON 5 tactile switch.

technical data

> general

Installation points	1 pcs.
illuminated	Yes
Packaging unit	100 pcs.
Net weight	0.3 g
Minimum order quantity (MOQ)	100 pcs.
RoHS compliant	Yes
REACH compliant	Yes
Country of origin	DE

direct links

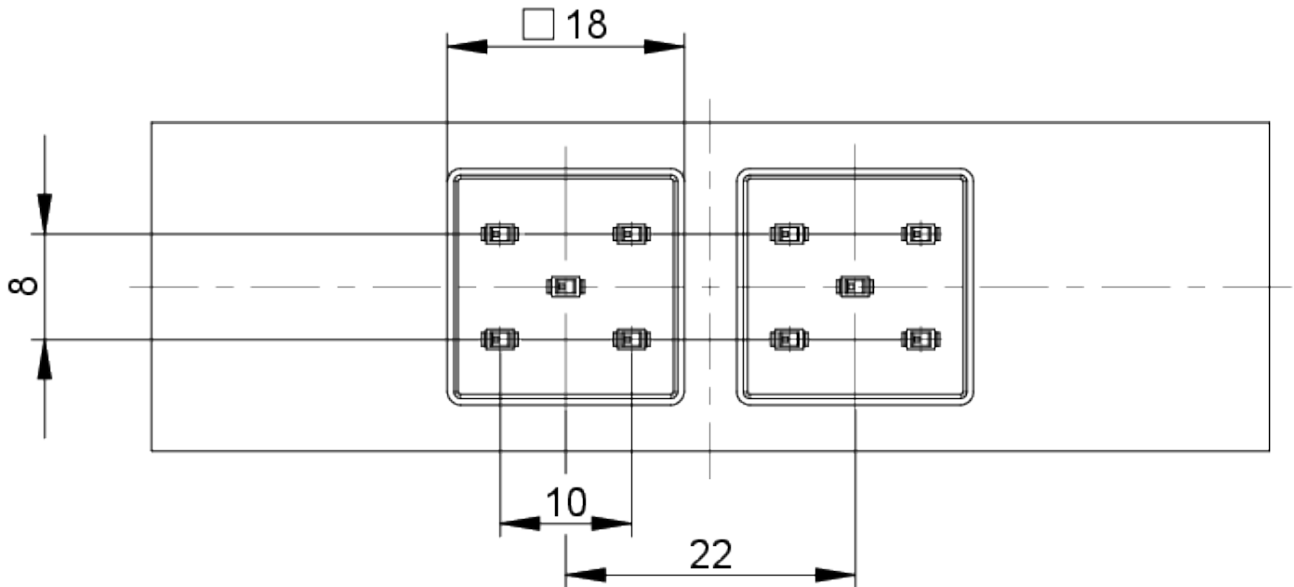
> [RAFI eCatalog](#)

> mounting diameters

Outside dimension, length	18 mm
Outside dimension, width	18 mm
Outside dimension, height	10.45 mm
Total height GH	9.25 mm

drawings

Dimensioned drawing



System drawing

