

E-BOX MODULAR, standard contact module, 35 V, 2 NO



Description

The elegant and flat E-BOX is the complete housing for RAFIX 22 FS+ control units. It is used where individual control devices are required at remote locations - for example, emergency stop applications along a production facility or at a safety fence. The compact dimensions of the E-BOX are based on the edge dimensions of a 40 mm profile rail. Installation is also designed with this in mind. This is quick and easy thanks to the modular system consisting of a lower and upper housing section, contact module with switching element and actuator.

The wiring of the terminals must be carried out by trained specialist personnel.



technical data

> general

Operating temperature, min.	-25 °C
Operating temperature, max.	70 °C
Storage temperature, min.	-40 °C
Storage temperature, max.	80 °C
illuminated	No
Packaging	Box
Packaging unit	1 pcs.
Net weight	7.7 g
Operating life electrical	1.000.000 (10mA / 24V DC) cycles
B10 electrical	1.300.000 (10mA / 24V DC) cycles
Protection class	II
Minimum order quantity (MOQ)	5 pcs.
RoHS compliant	Yes
REACH compliant	Yes
Country of origin	DE

direct links

> [RAFI eCatalog](#)

> mounting diameters

Outside dimension, length	45 mm
Outside dimension, width	32 mm
Outside dimension, height	16.85 mm

> mechanical data

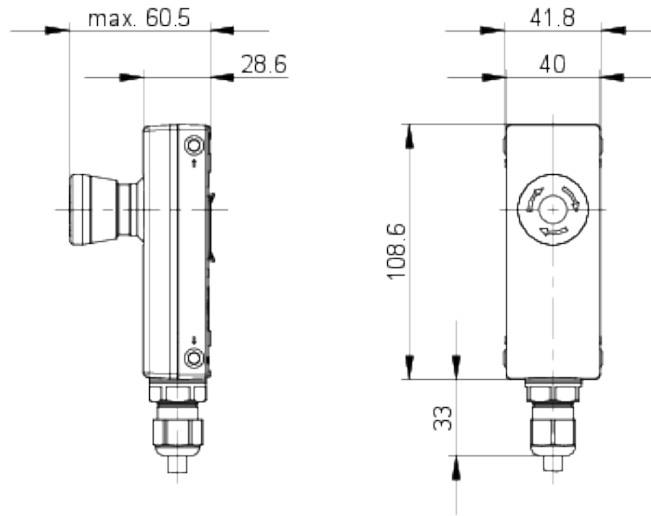
Abisolierlänge	10 mm
Terminal on the rear	Cage Clamp®
Fixing	Click quick fastener
Contact function	2 NO
Contact system	Bridge contact
Contact material	Gold
PIN 1	Normally open contact 1
PIN 2	Normally open contact 1
PIN 3	Normally open contact 2
PIN 4	Normally open contact 2

> electrical data

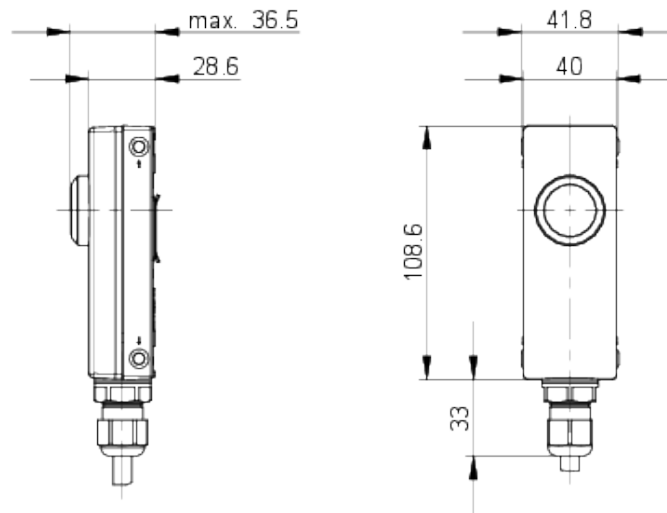
Rated voltage, min.	0.02 V
Rated voltage, max.	35 V
Voltage type	AC / DC
Rated operating voltage	0.02-35 V
Rated current, min.	0.001 A
Rated current, max.	0.1 A
Rated power, max.	0.25 W
Power loss	0.00030 W
Maximum connection cross section	0.75 mm ²
Minimum connection cross section	0.2 mm ²

drawings

System drawing



System drawing



Schematic diagram

