

E-BOX MODULAR, emergency stop contact module, 250 V, 2 NC



Description

The elegant and flat E-BOX is the complete housing for RAFIX 22 FS+ control units. It is used where individual control devices are required at remote locations - for example, emergency stop applications along a production facility or at a safety fence. The compact dimensions of the E-BOX are based on the edge dimensions of a 40 mm profile rail. Installation is also designed with this in mind. This is quick and easy thanks to the modular system consisting of a lower and upper housing section, contact module with switching element and actuator.

The wiring of the terminals must be carried out by trained specialist personnel.



technical data

> general

Operating temperature, min.	-25 °C
Operating temperature, max.	70 °C
Storage temperature, min.	-40 °C
Storage temperature, max.	80 °C
illuminated	No
Packaging	Box
Packaging unit	1 pcs.
Net weight	7.7 g
Operating life electrical	1,000,000 (1A / 250V AC) cycles 100,000 (2A / 250V AC) cycles 30,000 (4A / 250V AC) cycles
B10 electrical	1.300.000 (1A / 250V AC) cycles 200.000 (2A / 250V AC) cycles 70.000 (4A / 250V AC) cycles
B10d	140,000 cycles
Protection class	II
Minimum order quantity (MOQ)	5 pcs.
RoHS compliant	Yes
REACH compliant	Yes
Country of origin	DE

> mounting diameters

Outside dimension, length	45 mm
Outside dimension, width	32 mm
Outside dimension, height	17.4 mm

> mechanical data

Fixing	Assembly clip
Contact function	2 NC
Contact system	Bridge contact
Contact material	Silver
PIN 1	Normally closed contact 1

direct links

> [RAFI eCatalog](#)

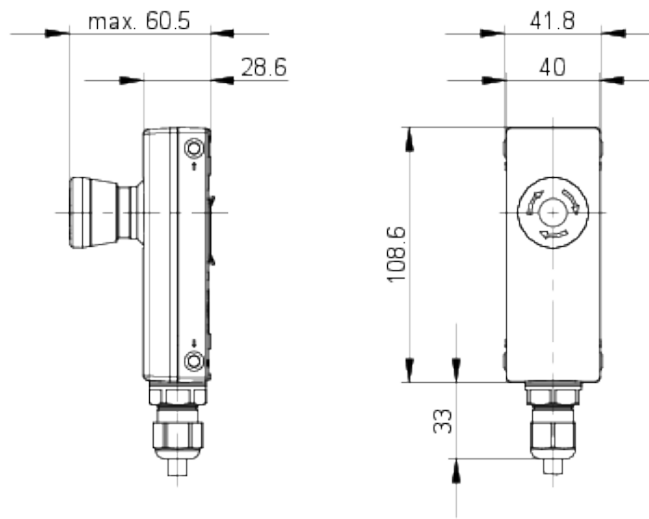
PIN 2	Normally closed contact 1
PIN 3	Normally closed contact 2
PIN 4	Normally closed contact 2

> electrical data

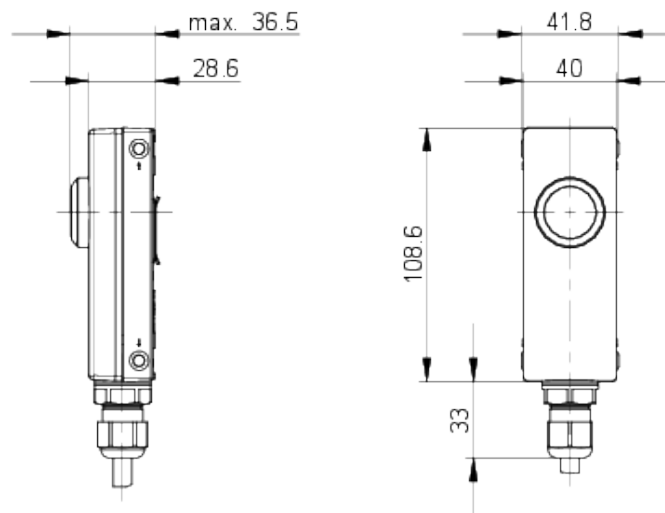
Rated voltage, min.	10 V
Rated voltage, max.	250 V
Voltage type	AC / DC
Rated operating voltage	10-250 V
Operating current, min.	1 mA
Rated current, min.	0.01 A
Power loss	0.96000 W

drawings

System drawing



System drawing



Schematic diagram

