

RF 15, indicator field, full illumination, lamp yellow, bezel yellow



Description

RF 15 indicator fields have a 15 x 15 mm edge length and are used under overlays in flat data entry keyboards as pure indicators.



technical data

> general

Bezel color	yellow
Luminous element color	yellow
Operating temperature, min.	-25 °C
Operating temperature, max.	70 °C
Storage temperature, min.	-25 °C
Storage temperature, max.	70 °C
illuminated	Yes
Luminous elements	Full illumination LED
Soldering time for manual soldering, max.	5 sec
Soldering temperature for manual soldering	350 °C
Soldering temperature for wave soldering	260 °C
Soldering	Manual / wave
Solder heat resistance according to standard	DIN EN 60068-2-20
Packaging	Tube
Packaging unit	32 pcs.
Net weight	2.1 g
Minimum order quantity (MOQ)	32 pcs.
RoHS compliant	Yes
REACH compliant	Yes
Country of origin	HU

> mounting diameters

Outside dimension, length	15 mm
Outside dimension, width	15 mm
Outside dimension, height	9.15 mm
Installation height	9.15 mm
Grid, min.	19.05 mm

> mechanical data

Terminal on the rear	THT
Fixing	Soldering
Solderability	Yes

direct links

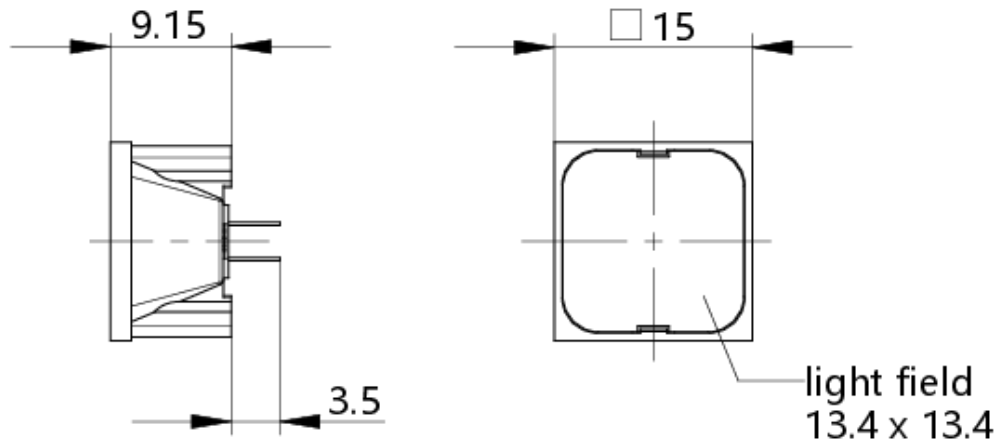
> [RAFI eCatalog](#)

> electrical data

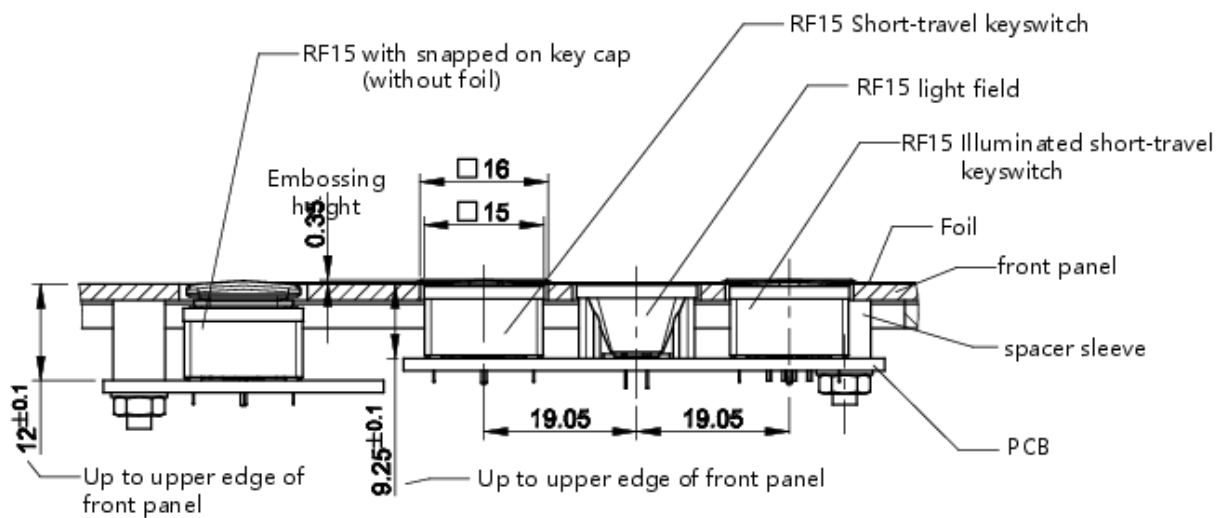
Operating voltage of the luminous element, min.	2 V
Operating voltage of the luminous element, max.	5 V
Operating current of the luminous element, max.	20 mA
dropping resistor	no

drawings

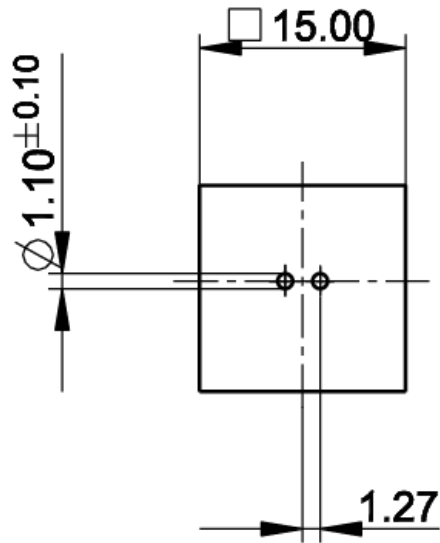
Dimensioned drawing



System drawing



PCB drawing



light field

front panel drawing

