

## RF 15, indicator field, full illumination, lamp red, bezel red



### Description

RF 15 indicator fields have a 15 x 15 mm edge length and are used under overlays in flat data entry keyboards as pure indicators.



### technical data

#### > general

Bezel color	red
Luminous element color	red
Operating temperature, min.	-25 °C
Operating temperature, max.	70 °C
Storage temperature, min.	-25 °C
Storage temperature, max.	70 °C
illuminated	Yes
Luminous elements	Full illumination LED
Soldering time for manual soldering, max.	5 sec
Soldering temperature for manual soldering	350 °C
Soldering temperature for wave soldering	260 °C
Soldering	Manual / wave
Solder heat resistance according to standard	DIN EN 60068-2-20
Packaging	Tube
Packaging unit	32 pcs.
Net weight	2.1 g
Minimum order quantity (MOQ)	32 pcs.
RoHS compliant	Yes
REACH compliant	Yes
Country of origin	HU

#### > mounting diameters

Outside dimension, length	15 mm
Outside dimension, width	15 mm
Outside dimension, height	9.15 mm
Installation height	9.15 mm
Grid, min.	19.05 mm

#### > mechanical data

Terminal on the rear	THT
Fixing	Soldering
Solderability	Yes

#### direct links

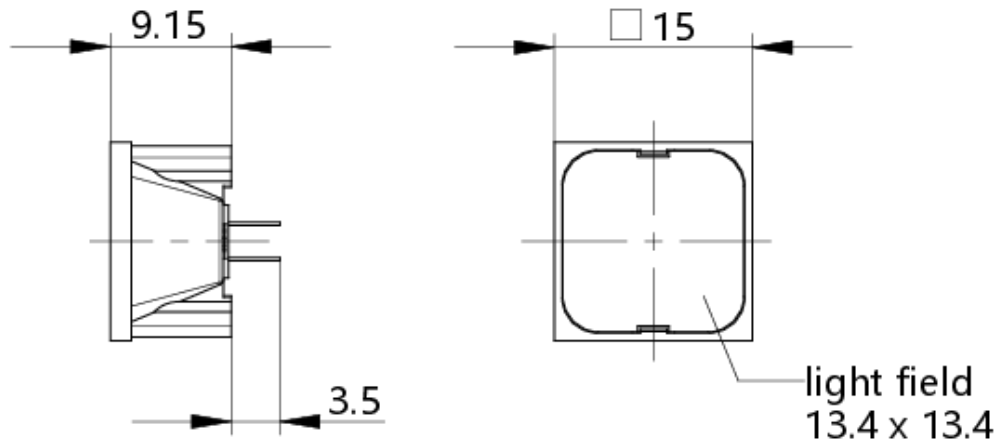
> [RAFI eCatalog](#)

**> electrical data**

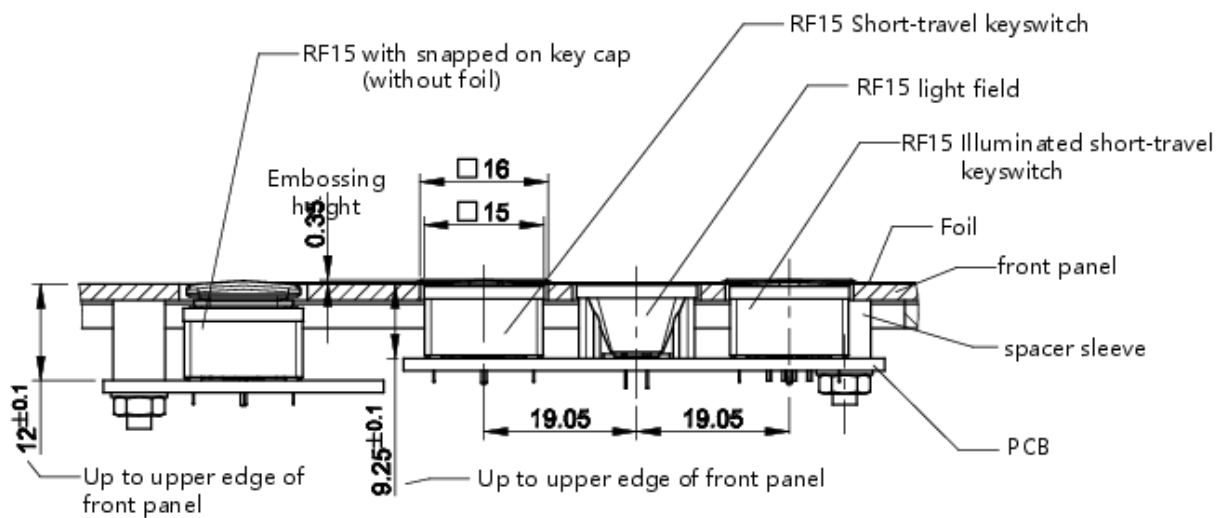
Operating voltage of the luminous element, min.	2 V
Operating voltage of the luminous element, max.	5 V
Operating current of the luminous element, max.	30 mA
dropping resistor	no

**drawings**

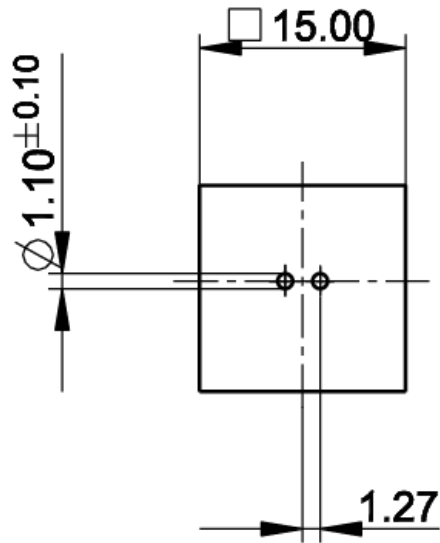
**Dimensioned drawing**



**System drawing**



PCB drawing



light field

front panel drawing

