

RF 15, gold, non-illuminated, 2.9 ± 0.6 N, bezel transparent, 1 NO



Description

The RF 15 gold tactile switches have a 15 x 15 mm edge length, reliable gold contacts and a noticeable click. They are used in flat data entry keyboards under overlays or under keycaps, such as RAFI RK 90 keycaps.

Flat data entry keyboards with RF 15 elements should be constructed in a 19.05 mm grid. With this grid, strips of glue remain between the individual keys on the front panel. The overlay, which we recommend embossing above the key switches, can be glued onto these strips of glue.

Wenn Wechselbeschriftungen benötigt werden, oder wenn die Bauhöhe von 12,5 mm erreicht werden soll, kann auf die unbeleuchteten Tasten eine Tastenkappe aufgerastet werden. Die Beschriftung der Tastenkappe wird durch ein Fenster in der Dekorfolie sichtbar. Für einen Beschriftungswechsel kann die Tastenkappe ausgetauscht werden.



technical data

> general

Bezel color	transparent
Operating temperature, min.	-25 °C
Operating temperature, max.	70 °C
Storage temperature, min.	-25 °C
Storage temperature, max.	70 °C
illuminated	No
Soldering time for manual soldering, max.	5 sec
Soldering temperature for manual soldering	350 °C
Soldering temperature for wave soldering	260 °C
Soldering	Manual / wave
Solder heat resistance according to standard	DIN EN 60068-2-20
Packaging	Tube
Packaging unit	32 pcs.
Net weight	2.5 g
Operating life	1,000,000 cycles
B10	1,300,000 cycles
Minimum order quantity (MOQ)	32 pcs.
RoHS compliant	Yes
REACH compliant	Yes
Country of origin	DE

direct links

> [RAFI eCatalog](#)

> mounting diameters

The information in this data sheet only contains general descriptions and / or performance features, which may not apply precisely as described to the respective application, and which may change due to further product enhancements. The technical data, illustrations and other information about our products are the mere results of individual technical testing. These descriptions and other product features are only binding if they expressly agreed upon at the time of the conclusion of a binding contract. In all other cases, we reserve the right to make technical changes as well as changes of availability. Pictures and other graphic illustrations are approximations only. All product names may be trademarks or brand names of the RAFI Group or any other sub-supplier of RAFI. The use of such by any third parties for their own purposes may infringe the rights of the respective entity holding those rights.

date: May 4, 2026 page: 1/5

RAFI GmbH & Co. KG

Ravensburger Str. 128-134
88276 Berg / Ravensburg
Germany
www.rafi-group.com,
info.headquarters@rafi-group.com

Outside dimension, length	15 mm
Outside dimension, width	15 mm
Outside dimension, height	9.7 mm
Installation height	9.7 mm
Grid, min.	19.05 mm

> mechanical data

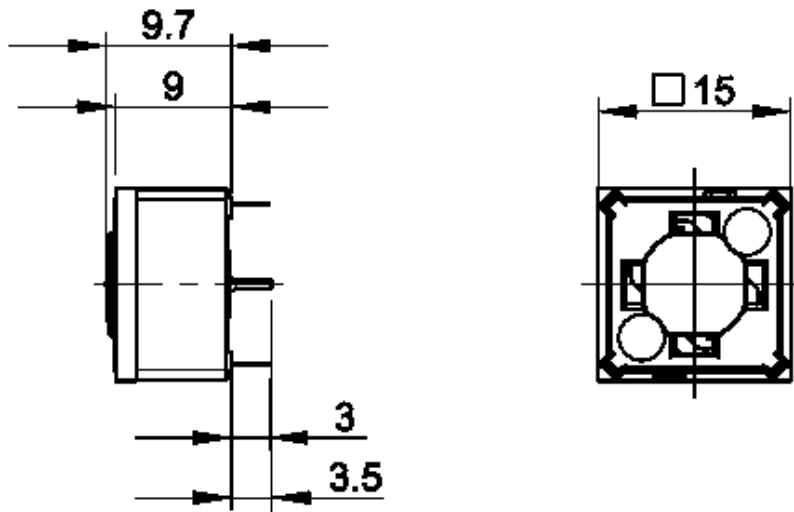
Terminal on the rear	THT
Fixing	Soldering
Actuation function	momentary contact function
Operating force, max.	100 N
Operating force, min.	2.9 ± 0.6 N
Contact function	1 NO
Contact system	Snap-action contact
Contact material	Gold
Solderability	Yes
Switching travel	0.5 + 0.3 mm

> electrical data

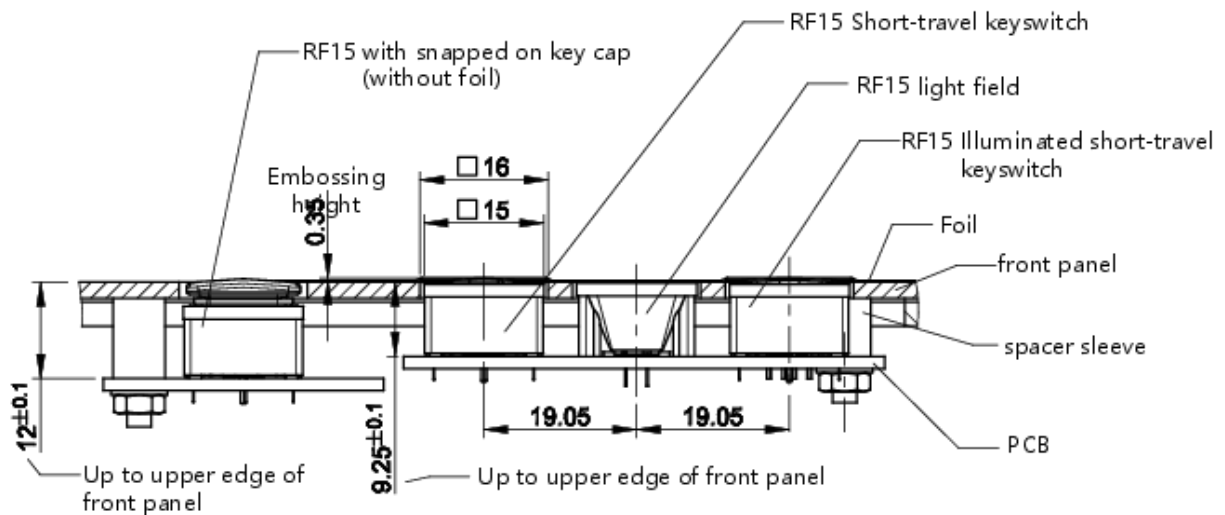
Operating voltage of the luminous element, max.	5 V
Rated voltage, min.	0.02 V
Rated voltage, max.	35 V
Rated current, min.	0.00001 A
Rated current, max.	0.1 A
Rated power, max.	2 W

drawings

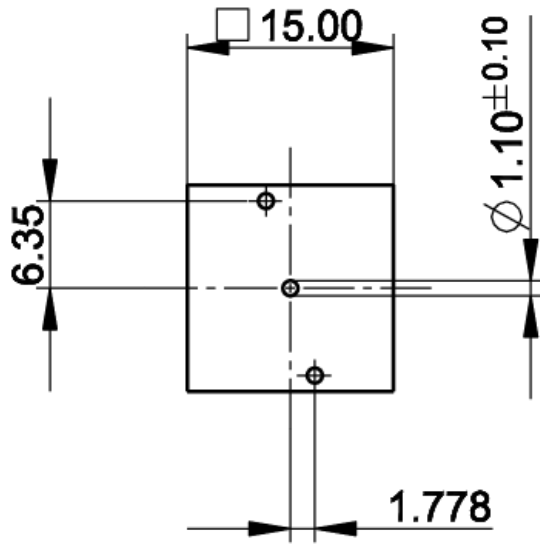
Dimensioned drawing



System drawing

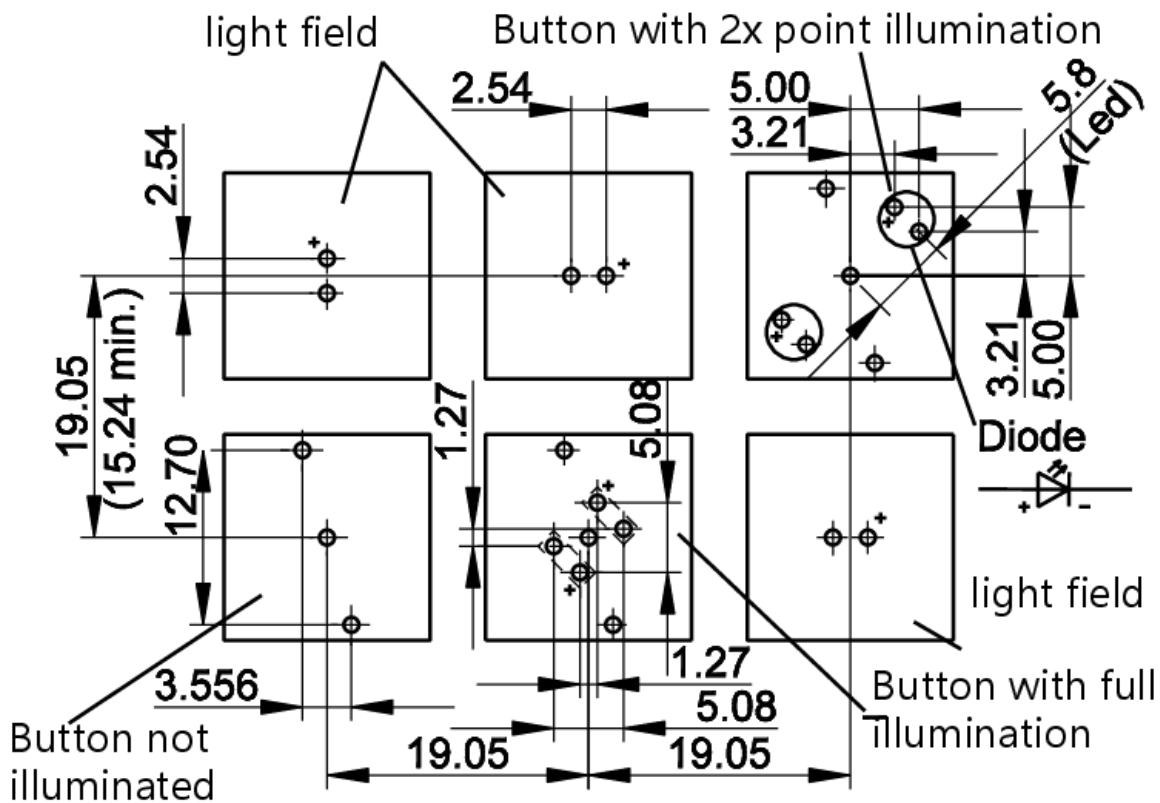


PCB drawing

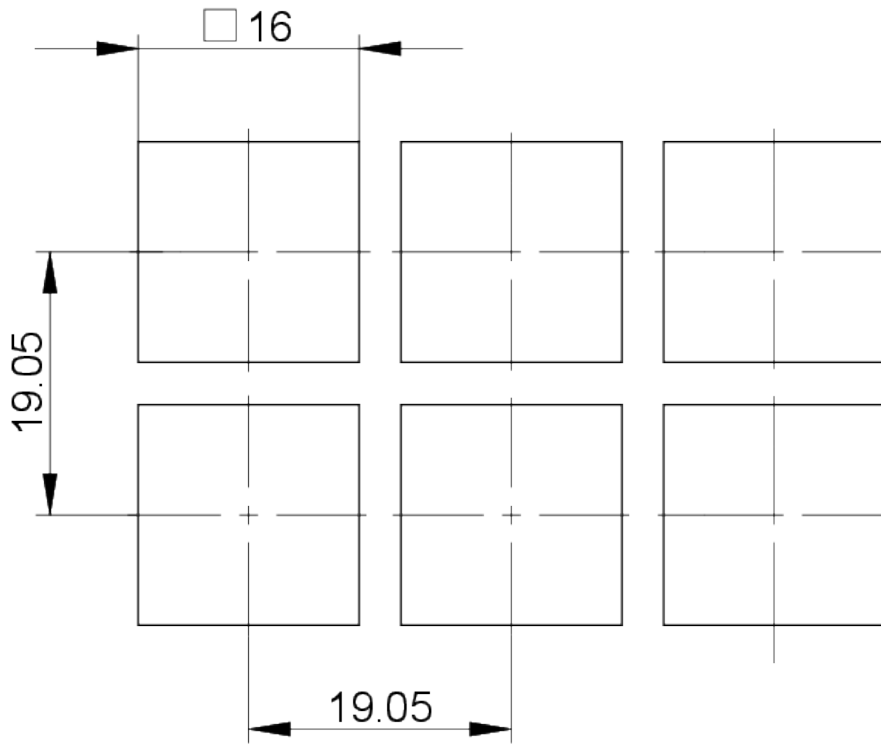


Button not illuminated

PCB drawing



front panel drawing



front panel drawing

