

RF 19 H, gold, full illumination, 2.9 ± 0.6 N, lamp white, bezel white, 1 NO



Description

The RF 19 H gold tactile switches have a 19 x 19 mm edge length, reliable gold contacts and a noticeable click. They are used in flat data entry keyboards under overlays or under keycaps, such as RAFI RK 90 keycaps.

Flat data entry keyboards with RF 19 H elements should be constructed in a 24 mm grid. With this grid, strips of glue remain between the individual keys on the front panel. The overlay, which we recommend embossing above the key switches, can be glued onto these strips of glue.

The key switch can be locked with an O-ring (accessory) and used as a signal indicator or placeholder.



technical data

> general

| | |
|--|----------------------------------|
| Bezel color | white |
| Luminous element color | white |
| Operating temperature, min. | -25 °C |
| Operating temperature, max. | 70 °C |
| Storage temperature, min. | -25 °C |
| Storage temperature, max. | 70 °C |
| illuminated | Yes |
| Luminous elements | Full illumination 1 LED |
| Soldering time for manual soldering, max. | 5 sec |
| Soldering temperature for manual soldering | 350 °C |
| Soldering temperature for wave soldering | 260 °C |
| Soldering | Manual / wave |
| Solder heat resistance according to standard | DIN EN 60068-2-20 |
| Packaging | Tube |
| Packaging unit | 25 pcs. |
| Net weight | 5.5 g |
| Operating life | 1,000,000 cycles |
| B10 | 1,300,000 cycles |
| Environment resistance | IEC 60068-2-14 IEC 60068-2-30 |

direct links

> [RAFI eCatalog](#)

IEC 60068-2-33

IEC 60068-2-78

Minimum order quantity (MOQ) 25 pcs.

RoHS compliant Yes

REACH compliant Yes

Country of origin HU

> mounting diameters

Outside dimension, length 19.05 mm

Outside dimension, width 19.05 mm

Outside dimension, height 12.5 mm

Installation height 12.5 mm

Grid, min. 24 mm

> mechanical data

Terminal on the rear THT

Fixing Soldering

Actuation function momentary contact function

Operating force, max. 100 N

Operating force, min. 2.9 ± 0.6 N

Contact function 1 NO

Contact system Snap-action contact

Contact material Gold

Solderability Yes

Switching travel $0.5 + 0.3$ mm**> electrical data**

Operating voltage of the luminous element, min. 2 V

Operating voltage of the luminous element, max. 5 V

Rated voltage, min. 0.02 V

Rated voltage, max. 35 V

Operating current of the luminous element, max. 30 mA

Rated current, min. 0.00001 A

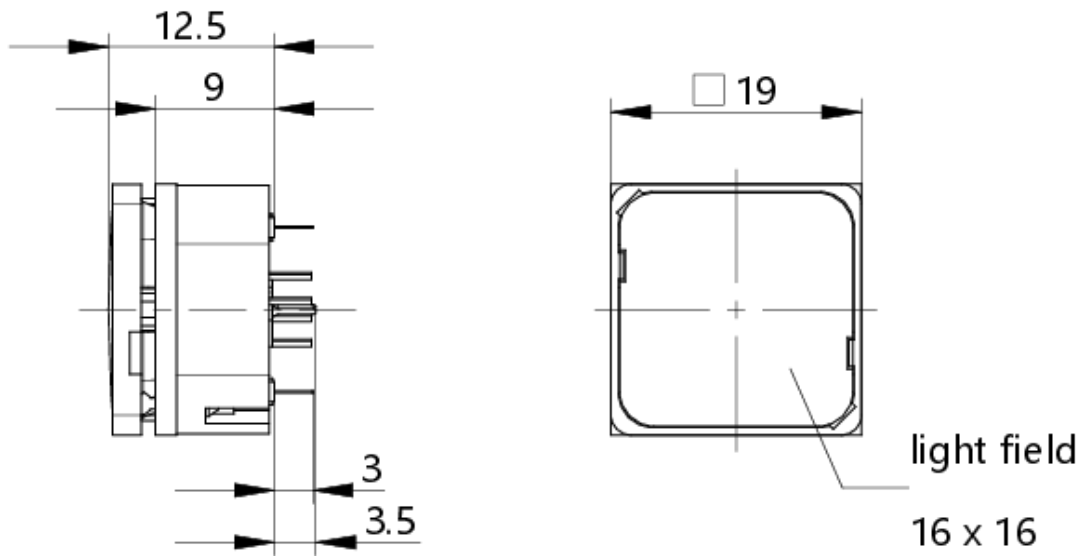
Rated current, max. 0.1 A

Rated power, max. 2 W

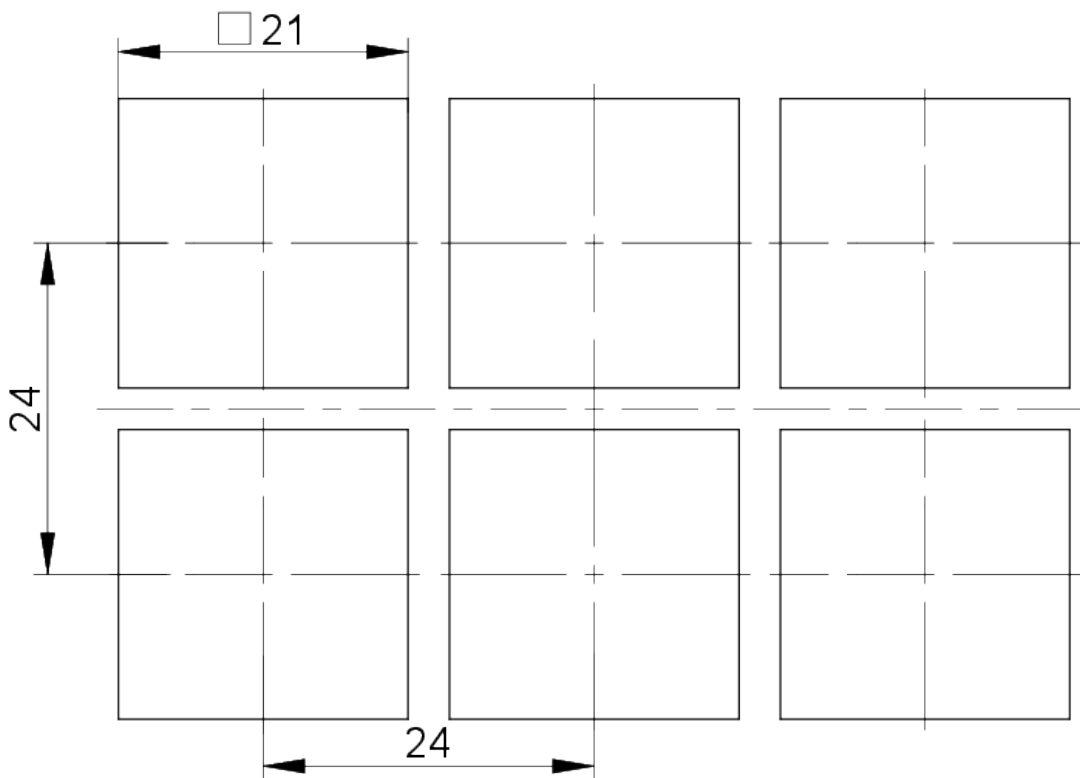
dropping resistor no

drawings

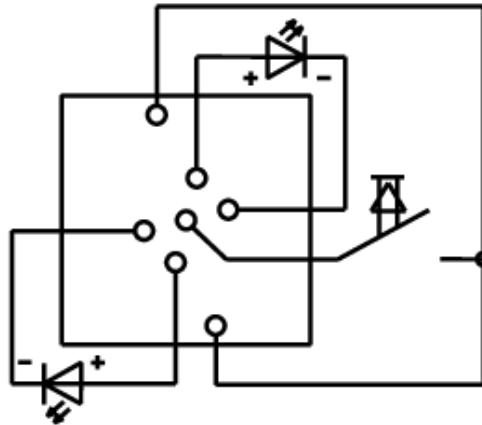
Dimensioned drawing



front panel drawing



Circuit diagram



Button full illumination