

RF 19, silver, non-illuminated, 2.9 ± 0.6 N, bezel transparent, 1 NO



Description

The RF 19 silver tactile switches have a 19 x 19 mm edge length, reliable silver contacts and a noticeable click. They are used in flat data entry keyboards under overlays or under keycaps, such as RAFI RK 90 keycaps.

Flat data entry keyboards with RF 19 elements should be constructed in a 23 mm grid. With this grid, strips of glue remain between the individual keys on the front panel. The overlay, which we recommend embossing above the key switches, can be glued onto these strips of glue.



technical data

> general

| | |
|--|--|
| Bezel color | transparent |
| Operating temperature, min. | -25 °C |
| Operating temperature, max. | 70 °C |
| Storage temperature, min. | -25 °C |
| Storage temperature, max. | 70 °C |
| illuminated | No |
| Soldering time for manual soldering, max. | 5 sec |
| Soldering temperature for manual soldering | 350 °C |
| Soldering temperature for wave soldering | 260 °C |
| Soldering | Manual / wave |
| Solder heat resistance according to standard | DIN EN 60068-2-20 |
| Packaging | Tube |
| Packaging unit | 25 pcs. |
| Net weight | 4 g |
| Operating life | 1,000,000 cycles |
| B10 | 1,300,000 cycles |
| Environment resistance | IEC 60068-2-14 IEC 60068-2-30 IEC 60068-2-33 IEC 60068-2-78 |
| Minimum order quantity (MOQ) | 25 pcs. |
| RoHS compliant | Yes |
| REACH compliant | Yes |
| Country of origin | DE |

direct links

> [RAFI eCatalog](#)

> mounting diameters

The information in this data sheet only contains general descriptions and / or performance features, which may not apply precisely as described to the respective application, and which may change due to further product enhancements. The technical data, illustrations and other information about our products are the mere results of individual technical testing. These descriptions and other product features are only binding if they expressly agreed upon at the time of the conclusion of a binding contract. In all other cases, we reserve the right to make technical changes as well as changes of availability. Pictures and other graphic illustrations are approximations only. All product names may be trademarks or brand names of the RAFI Group or any other sub-supplier of RAFI. The use of such by any third parties for their own purposes may infringe the rights of the respective entity holding those rights.

date: May 4, 2026 page: 1/4

RAFI GmbH & Co. KG

Ravensburger Str. 128-134
88276 Berg / Ravensburg
Germany
www.rafi-group.com,
info.headquarters@rafi-group.com

| | |
|---------------------------|----------|
| Outside dimension, length | 19.05 mm |
| Outside dimension, width | 19.05 mm |
| Outside dimension, height | 9.7 mm |
| Installation height | 9.7 mm |
| Grid, min. | 23 mm |

> mechanical data

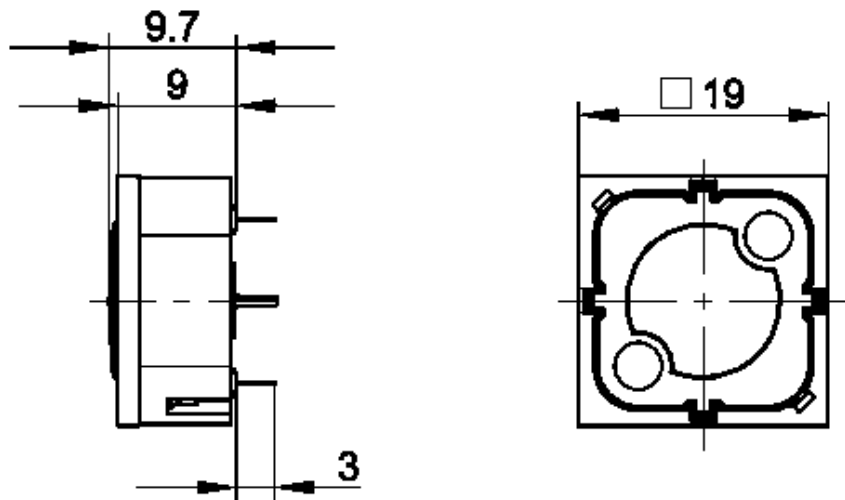
| | |
|-----------------------|----------------------------|
| Terminal on the rear | THT |
| Fixing | Soldering |
| Actuation function | momentary contact function |
| Operating force, max. | 100 N |
| Operating force, min. | 2.9 ± 0.6 N |
| Contact function | 1 NO |
| Contact system | Snap-action contact |
| Contact material | Silver |
| Solderability | Yes |
| Switching travel | 0.5 + 0.3 mm |

> electrical data

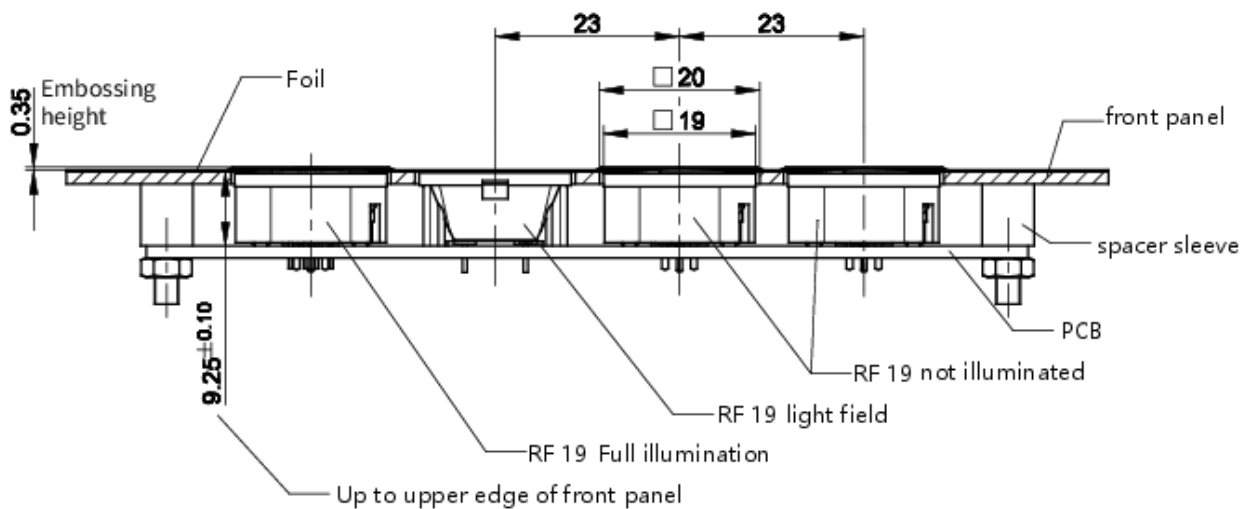
| | |
|---------------------|----------|
| Rated voltage, min. | 3 V |
| Rated voltage, max. | 35 V |
| Rated current, min. | 0.0001 A |
| Rated current, max. | 0.25 A |
| Rated power, max. | 12.5 W |

drawings

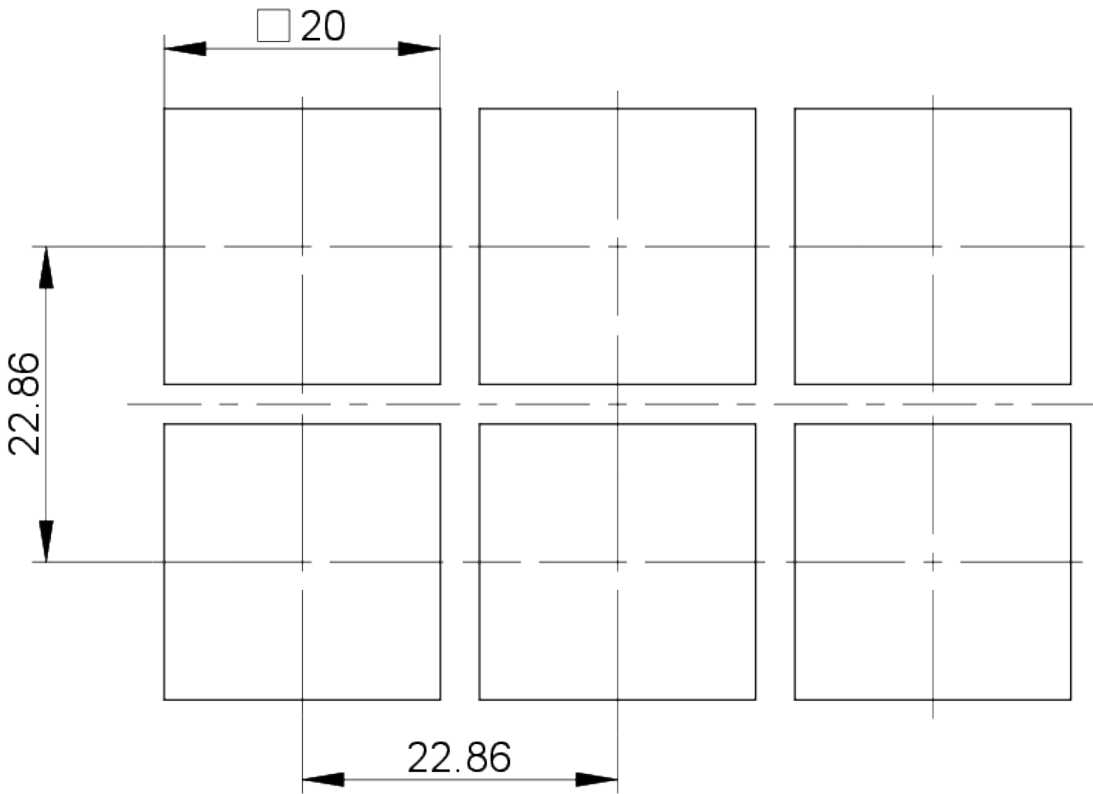
Dimensioned drawing



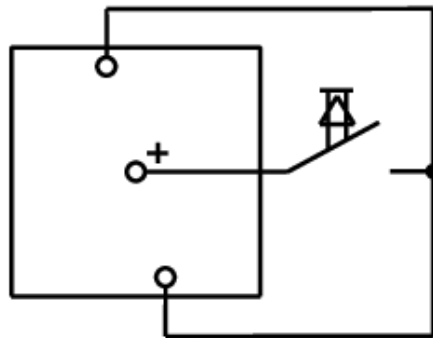
System drawing



front panel drawing



Circuit diagram



Non-illuminated Button