

RAFIX 30 FS⁺, signal indicator, round collar, bezel red

Description

Flat signal indicator with stainless steel bezel.



technical data

> general

| | |
|--|--|
| Bezel color | red |
| Property of bezel / mushroom | translucent |
| Front ring color | stainless steel |
| Collar shape | round |
| Operating temperature, min. | -25 °C |
| Operating temperature, max. | 70 °C |
| Storage temperature, min. | -40 °C |
| Storage temperature, max. | 80 °C |
| illuminated | Yes |
| Packaging | Box |
| Packaging unit | 10 pcs. |
| Net weight | 16.6 g |
| Degree of protection, front side, according to DIN EN 60529 | IP65 |
| Environment resistance | IEC 60068-2-14 IEC 60068-2-30 IEC 60068-2-33 IEC 60068-2-78 |
| Salt-spray resistance according to standard | IEC 60068-2-11 |
| Minimum order quantity (MOQ) | 10 pcs. |
| RoHS compliant | Yes |
| REACH compliant | Yes |
| Country of origin | HU |

> mounting diameters

| | |
|---------------------------|------------|
| Outside dimension, length | 34.5 mm |
| Outside dimension, width | 34.5 mm |
| Outside dimension, height | 20.7 mm |
| Mounting hole | 30.3 mm |
| Mounting depth | 15.7 mm |
| Installation height | 5.25 mm |
| Grid, min. | 35 x 35 mm |
| Collar dimension | ø 34,5 mm |

direct links

> [RAFI eCatalog](#)

> mechanical data

| | |
|----------------------------|---------------|
| Fixing | Threaded ring |
| Threaded ring torque, max. | 1.2 Nm |

> Specifications according to UL 60947

| | |
|--------------------------------|----------------|
| UL Enclosure Type Rating front | type 1 |
| side | type 4X indoor |

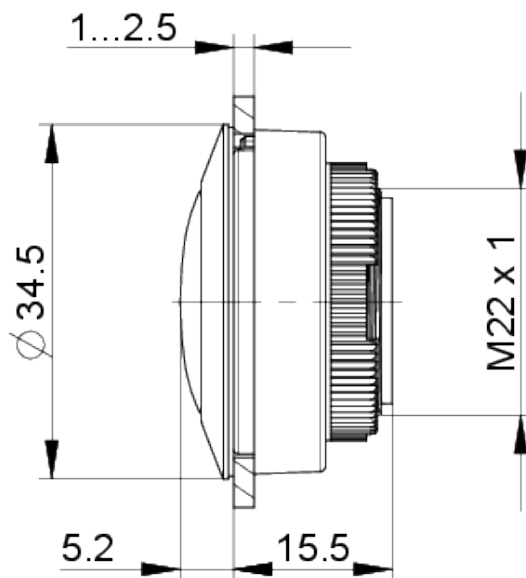
Use according to UL:

RAFIX control devices are defined at RAFI as modular elements, consisting of an actuating element, if necessary a coupling and an individual contact or lighting unit.

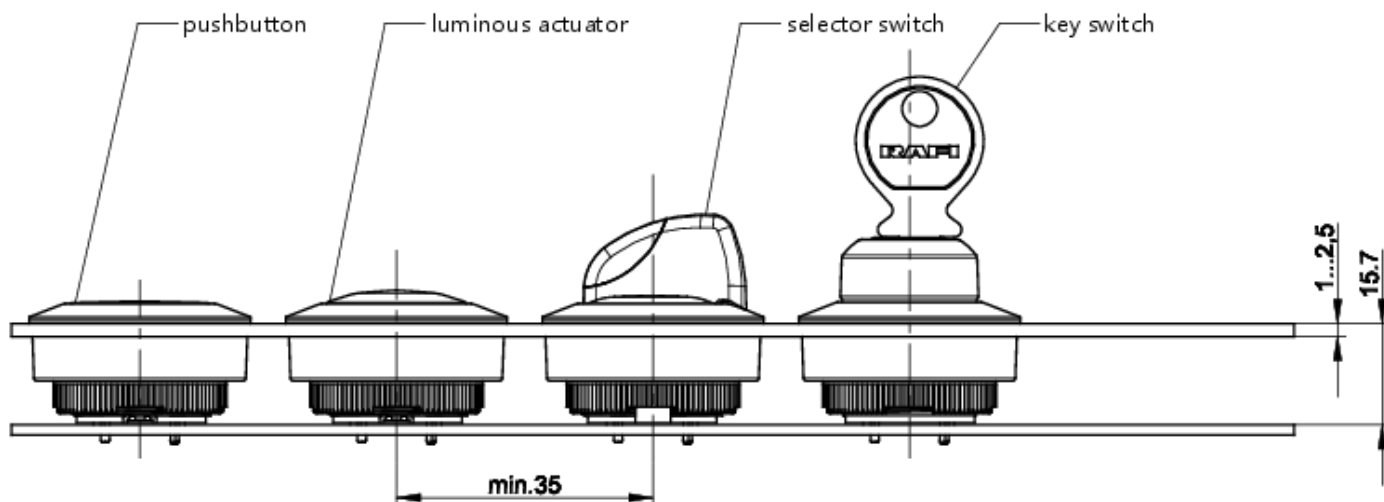
Actuating elements (such as pushbuttons, emergency stop actuators, etc.) have the intended tactility, reset and function only when assembled with the appropriate switching elements.

drawings

Dimensioned drawing



System drawing



Mounting hole drawing

