

RAFIX 22 FSR, signal indicator, round collar, bezel yellow

Description



The RAFIX 22 FSR signal indicators are designed for illumination with SMT or THT LEDs. They ensure full illumination that can also be seen from the side.



technical data

> general

Bezel color	yellow
Property of bezel / mushroom	translucent
Collar shape	round
Operating temperature, min.	-40 °C
Operating temperature, max.	85 °C
Storage temperature, min.	-40 °C
Storage temperature, max.	85 °C
illuminated	Yes
Packaging	Box
Packaging unit	10 pcs.
Net weight	10.5 g
Degree of protection, front side, according to DIN EN 60529	IP65 IP67 IP69
Environment resistance	IEC 60068-2-14 IEC 60068-2-30 IEC 60068-2-33 IEC 60068-2-78
Salt-spray resistance according to standard	IEC 60068-2-11
Impact resistance IK	06
Minimum order quantity (MOQ)	10 pcs.
RoHS compliant	Yes
REACH compliant	Yes
Country of origin	HU

direct links

> [RAFI eCatalog](#)

> mounting diameters

Outside dimension, length	31.3 mm
Outside dimension, width	31.3 mm
Outside dimension, height	20.8 mm
Mounting hole	22.3 mm
Mounting depth	9.2 mm
Installation height	12.2 mm
Grid, min.	32 x 32 mm

Collar dimension \varnothing 31,3 mm

> **mechanical data**

Fixing Threaded ring

Threaded ring torque, max. 1.2 Nm

> **Specifications according to UL 60947**

UL Enclosure Type Rating front type 1

side type 4X indoor

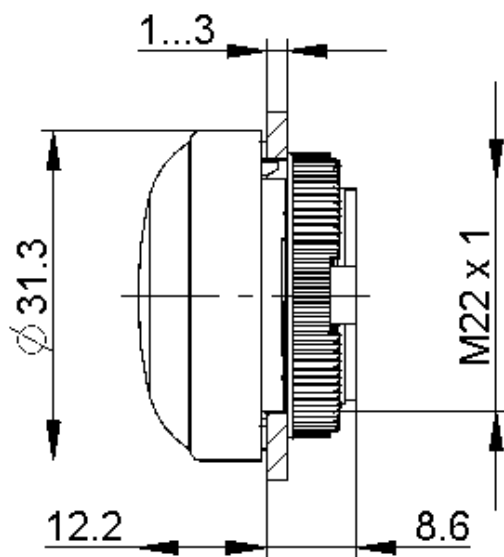
Use according to UL:

RAFIX control devices are defined at RAFI as modular elements, consisting of an actuating element, if necessary a coupling and an individual contact or lighting unit.

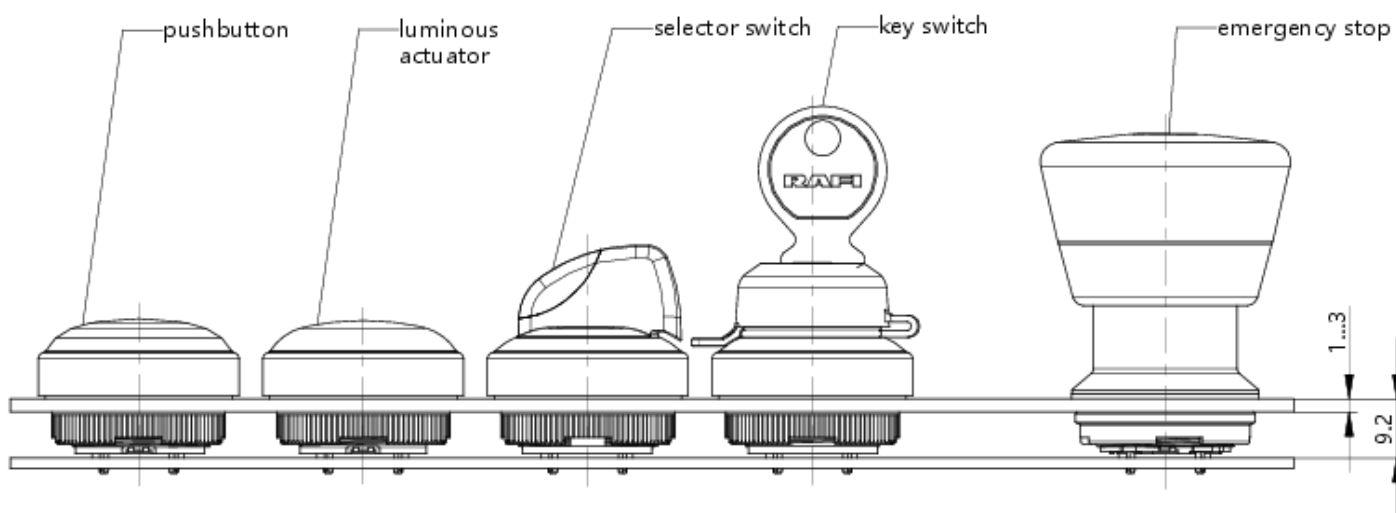
Actuating elements (such as pushbuttons, emergency stop actuators, etc.) have the intended tactility, reset and function only when assembled with the appropriate switching elements.

drawings

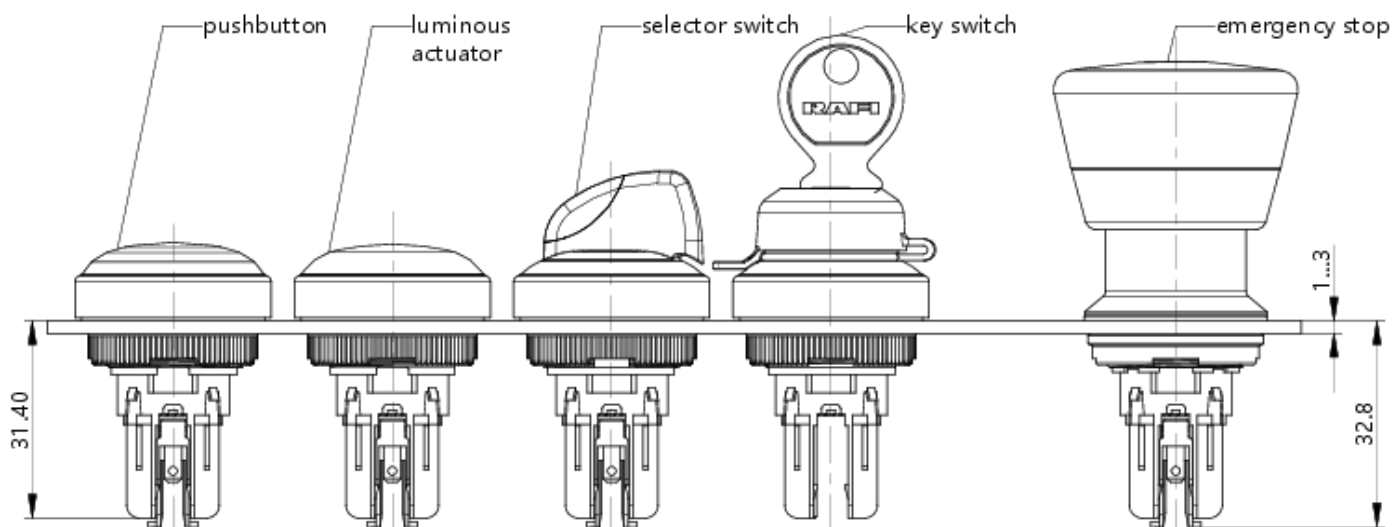
Dimensioned drawing



System drawing



System drawing



Mounting hole drawing



acc. to IEC 60947-5-1