

## Signal lamp with integrated LED, 5 mm, protruding LED, lamp red, 28 Volt, Solder terminal



### Description

Signal lamps with integrated LED, mounting hole diameter 5 mm

### technical data

#### > general

Property of bezel / mushroom	transparent
Luminous element color	red
illuminated	Yes
Packaging unit	10 pcs.
Net weight	0.5 g
Degree of protection, front side, according to DIN EN 60529	IP40
Minimum order quantity (MOQ)	50 pcs.
RoHS compliant	Yes
REACH compliant	Yes
Country of origin	HU

#### direct links

> [RAFI eCatalog](#)

#### > mounting diameters

Outside dimension, length	5.8 mm
Outside dimension, width	5.8 mm
Outside dimension, height	21 mm
Mounting hole	5 mm
Mounting depth	18 mm
Installation height	3 mm
Collar dimension	5.8 mm

#### > mechanical data

Terminal on the rear	Solder terminal
Fixing	Pushing into mounting hole
Solderability	Yes

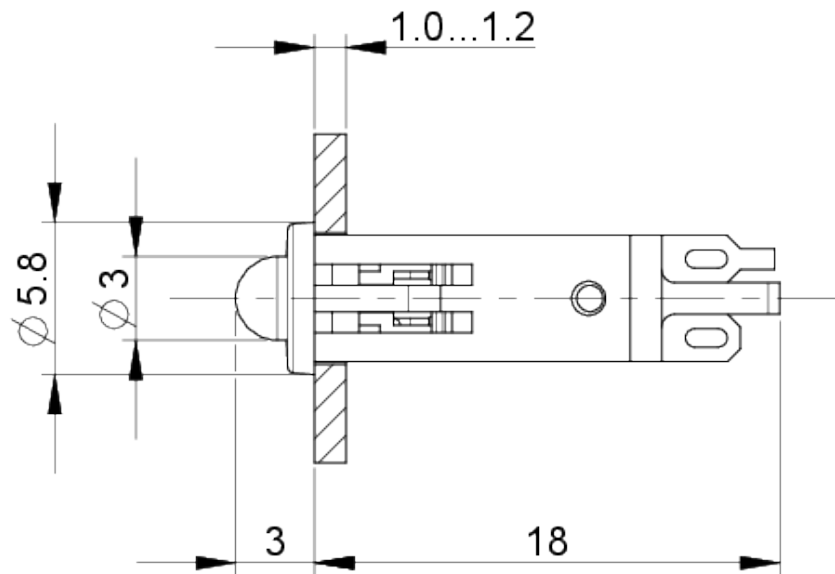
#### > electrical data

Operating voltage of the luminous element, min.	24 V
---	------

Operating voltage of the luminous element, max. 28 V

**drawings**

**Dimensioned drawing**



**Mounting hole drawing**

