

Signal lamp TILTED DIAMOND+ IO-LINK, lamp RGB, 24 Volt, bezel transparent, M12 4-pin A-coded



Description

Our IO-LINK products offer you a comfortable start and can be quickly integrated into your existing environment by using standardized M12 connectors. Simply connected and individually parameterized, our control and signaling devices open up countless possibilities. With the IO-LINK versions of the TILTED DIAMOND+ and E-BOX you are already prepared by today for the challenges of tomorrow. The ultra-bright signal lamp is quickly mounted and vibration resistant.

Assembly

Screw connection from below
Optional with mounting tube and foot

Parameterization

Night mode with different brightness level
Flexible color selection: 5 standard colors plus 3 freely selectable RGB colors
8 different flashing modes
Can be diagnosed via the control



technical data

> general

Color	black
Bezel color	transparent
Property of bezel / mushroom	transparent
Luminous element color	RGB
Bezel shape	convex
Collar shape	round
Operating temperature, min.	-30 °C
Operating temperature, max.	60 °C
Storage temperature, min.	-40 °C
Storage temperature, max.	85 °C
illuminated	Yes
Luminous elements	LED
Packaging	Box

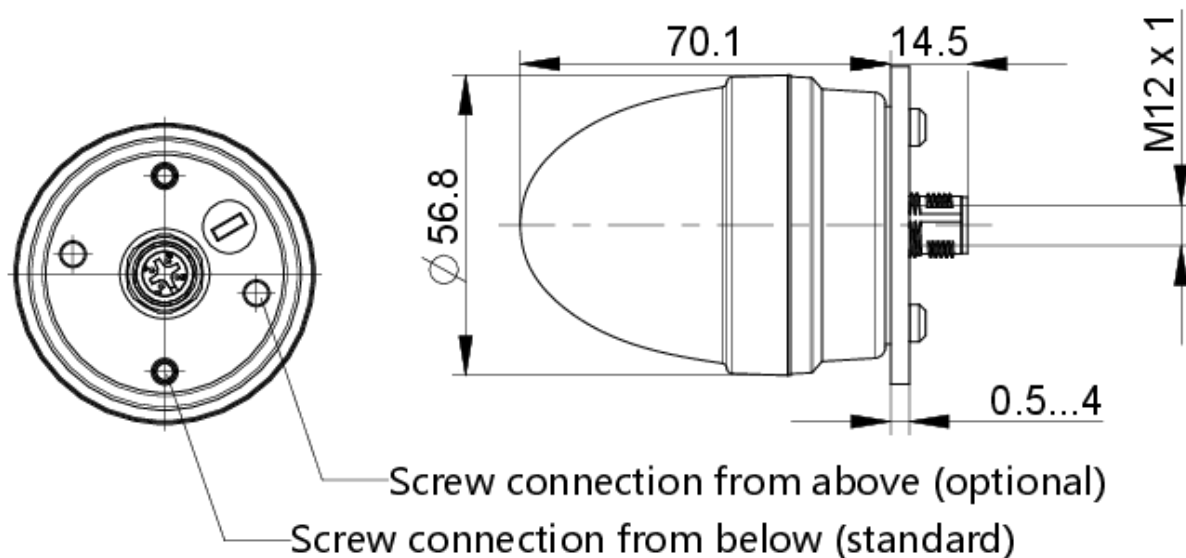
direct links

> [RAFI eCatalog](#)

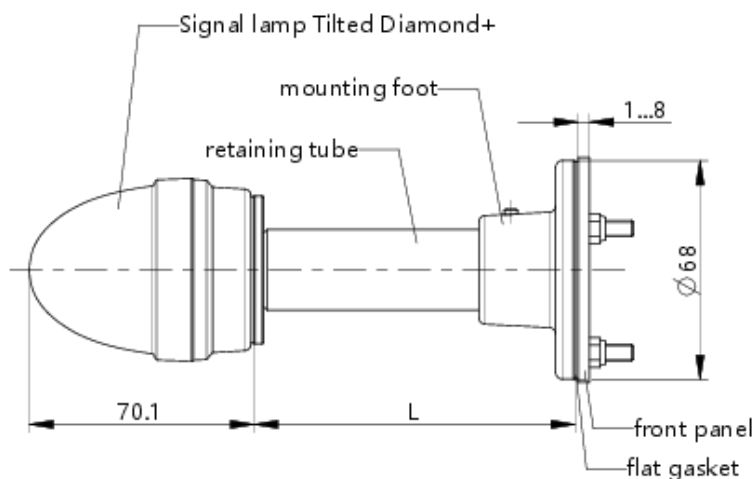
Packaging unit	1 pcs.
Net weight	61.2 g
Degree of protection, front side, according to DIN EN 60529	IP66 IP67
Degree of protection, rear side, according to DIN EN 60529	IP65
Impact resistance IK	08 side 08 frontal
Minimum order quantity (MOQ)	1 pcs.
EMC	DIN EN 61000-6-2 Interference immunity industry DIN EN 61000-6-3 Interference emission living area DIN EN 61131-9 Single-drop digital communication interface (SDCI)
IO-Link version	Interface and System Specification 1.1.2
communication mode IO-Link	COM2 / 38.4 kBaud
cycle time	5 ms
Firmware Update	Yes over IO-Link Master
Pollution degree acc. to DIN EN 61010-1	Pollution degree 2
RoHS compliant	Yes
REACH compliant	Yes
Country of origin	HU
> mounting diameters	
Outside dimension, length	56.8 mm
Outside dimension, width	56.8 mm
Outside dimension, height	84.6 mm
Mounting depth	14.5 mm
Installation height	70.1 mm
Collar dimension	56.8 mm
> mechanical data	
Terminal on the rear	M12 4-pin A-coded
Fixing	Screw
PIN 1	L+
PIN 2	-
PIN 3	L-
PIN 4	C/Q
> electrical data	
Operating voltage, min.	19.2 V
Operating voltage, max.	28.8 V
Rated operating voltage	24 V
Operating current, max.	120 mA

drawings

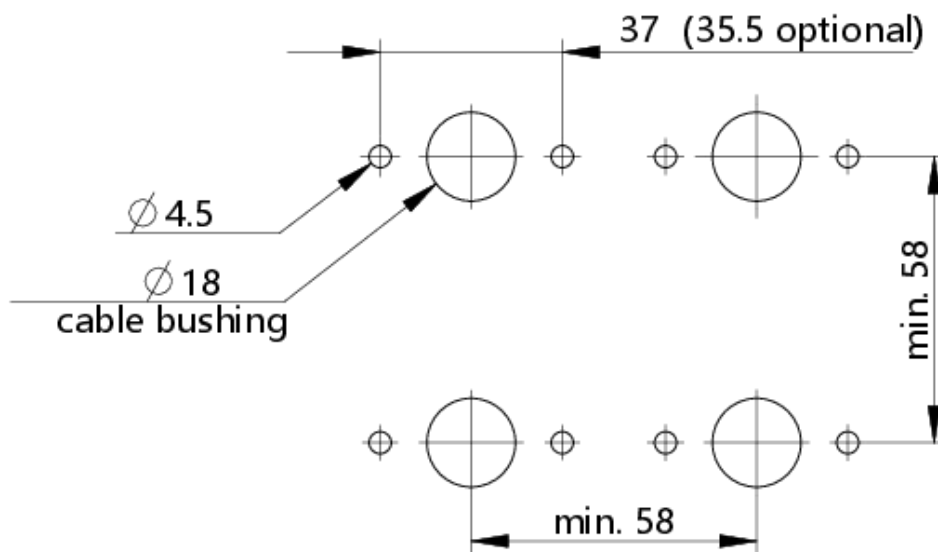
Dimensioned drawing



System drawing



Mounting hole drawing



Connection drawing

