

# Tilted Diamond<sup>+</sup> M12 signal lamp, 24 Volt, bezel blue, M12 4-pin A-coded



## Description

**RAFI** has further refined the Tilted Diamond signal lamp, developed in collaboration with Luigi Colani. The result: Tilted Diamond<sup>+</sup>, which is also very easy to assemble, thanks to the M12 or CAGE CLAMP<sup>®</sup> terminal.

To achieve outstanding illumination, we have optimized the light refraction. Its uniform, all-round high visibility makes the signal lamp even easier to see from a distance, so you can respond even faster in an emergency. In line with everyday requirements in industrial environments, this signal lamp is especially sustainable and shock-resistant. In addition, the bright LEDs are energy efficient and do not have to be replaced. The resulting overall package, for many fields of application, will exceed your expectations.



## technical data

### > general

|   |                       |
|---|-----------------------|
| Color   | black                 |
| Bezel color   | blue                  |
| Property of bezel / mushroom                                | translucent           |
| Bezel shape   | convex                |
| Collar shape  | round                 |
| Operating temperature, min.                                 | -30 °C                |
| Operating temperature, max.                                 | 60 °C                 |
| Storage temperature, min.                                   | -40 °C                |
| Storage temperature, max.                                   | 85 °C                 |
| illuminated   | Yes                   |
| Luminous elements   | LED                   |
| Packaging   | Box                   |
| Packaging unit  | 1 pcs.                |
| Net weight  | 61.2 g                |
| Degree of protection, front side, according to DIN EN 60529 | IP66<br>IP67          |
| Degree of protection, rear side, according to DIN EN 60529  | IP65                  |
| Impact resistance IK  | 08 side<br>08 frontal |
| Minimum order quantity (MOQ)                                | 10 pcs.               |
| RoHS compliant  | Yes                   |
| REACH compliant   | Yes                   |
| Country of origin   | DE                    |

### direct links

> [RAFI eCatalog](#)

### > mounting diameters

The information in this data sheet only contains general descriptions and / or performance features, which may not apply precisely as described to the respective application, and which may change due to further product enhancements. The technical data, illustrations and other information about our products are the mere results of individual technical testing. These descriptions and other product features are only binding if they expressly agreed upon at the time of the conclusion of a binding contract. In all other cases, we reserve the right to make technical changes as well as changes of availability. Pictures and other graphic illustrations are approximations only. All product names may be trademarks or brand names of the RAFI Group or any other sub-supplier of RAFI. The use of such by any third parties for their own purposes may infringe the rights of the respective entity holding those rights.

date: May 4, 2026 page: 1/3

### RAFI GmbH & Co. KG

Ravensburger Str. 128-134  
88276 Berg / Ravensburg  
Germany  
[www.rafi-group.com](http://www.rafi-group.com),  
[info.headquarters@rafi-group.com](mailto:info.headquarters@rafi-group.com)

|                           |         |
|---------------------------|---------|
| Outside dimension, length | 56.8 mm |
| Outside dimension, width  | 56.8 mm |
| Outside dimension, height | 84.6 mm |
| Mounting depth            | 14.5 mm |
| Installation height       | 70.1 mm |
| Collar dimension          | 56.8 mm |

**> mechanical data**

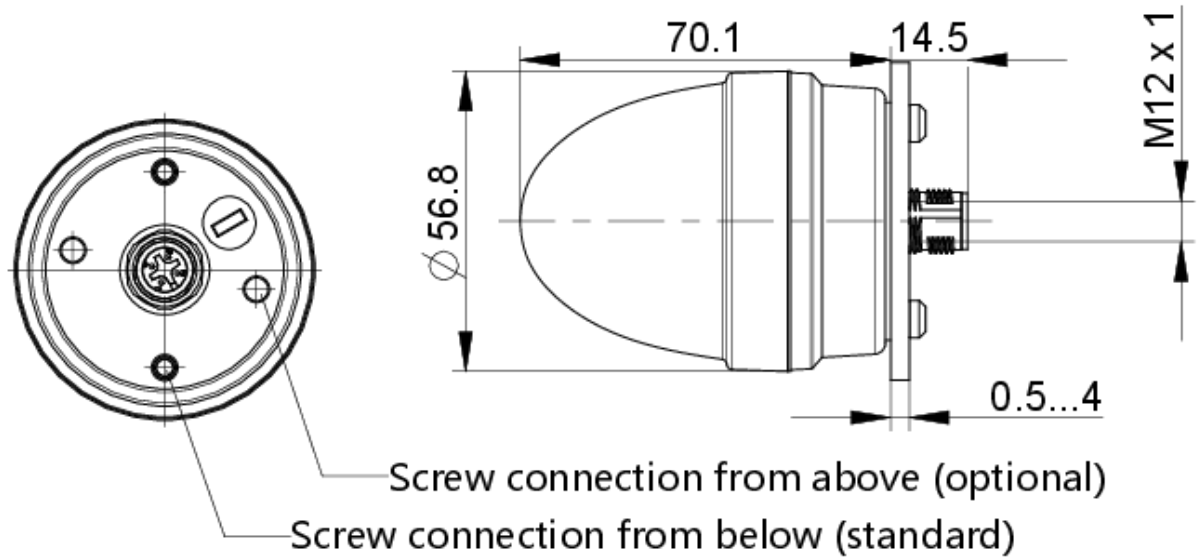
|                      |                   |
|----------------------|-------------------|
| Terminal on the rear | M12 4-pin A-coded |
| Fixing               | Screw             |
| PIN 1                | -                 |
| PIN 2                | -                 |
| PIN 3                | GND               |
| PIN 4                | LED +             |

**> electrical data**

|   |           |
|---|-----------|
| Operating voltage of the luminous element, min. | 20 V      |
| Operating voltage of the luminous element, max. | 28 V      |
| Voltage type                                    | DC        |
| Rated operating voltage                         | 20-28 V   |
| Power loss                                      | 3.08000 W |

**drawings**

**Dimensioned drawing**



**Schematic diagram**

