

## RAFIX 30 FS<sup>+</sup>, keylock switch, round collar, frontring stainless steel, 2 x 90°, latching, key removal position 0



### Description

The locking systems we use have been created by reputable lock manufacturers in accordance with the DIN EN 1303 standard. They are open, mechanical systems that require occasional maintenance by the operator depending on the ambient conditions.

Further locking positions or functions are available on request.



### technical data

#### > general

Disassembly possible	no
Scope of delivery	2 keys
Front ring color	stainless steel
Collar shape	round
Operating temperature, min.	-25 °C
Operating temperature, max.	70 °C
Storage temperature, min.	-40 °C
Storage temperature, max.	80 °C
illuminated	No
Packaging	Box
Packaging unit	2 pcs.
Net weight	36.7 g
Operating life	50,000 cycles
B10	65,000 cycles
Degree of protection, front side, according to DIN EN 60529	IP65
Environment resistance	IEC 60068-2-14 IEC 60068-2-30 IEC 60068-2-33 IEC 60068-2-78
Salt-spray resistance according to standard	IEC 60068-2-11
Minimum order quantity (MOQ)	10 pcs.
RoHS compliant	Yes
REACH compliant	Yes
Country of origin	HU

#### > mounting diameters

Outside dimension, length	34.5 mm
Outside dimension, width	34.5 mm
Outside dimension, height	29.2 mm

#### direct links

> [RAFI eCatalog](#)

Mounting hole	30.3 mm
Mounting depth	15.7 mm
Installation height	13.7 mm
Grid, min.	35 x 35 mm
Collar dimension	ø 34,5 mm

**> mechanical data**

Key removal position	0
Fixing	Threaded ring
Actuation function	latching
Operating torque, max.	1.3 Nm
Threaded ring torque, max.	1.2 Nm
Rotating angle	2 x 90°
Locking position	019

**> Specifications according to UL 60947**

UL Enclosure Type Rating front	type 1
side	type 4X indoor

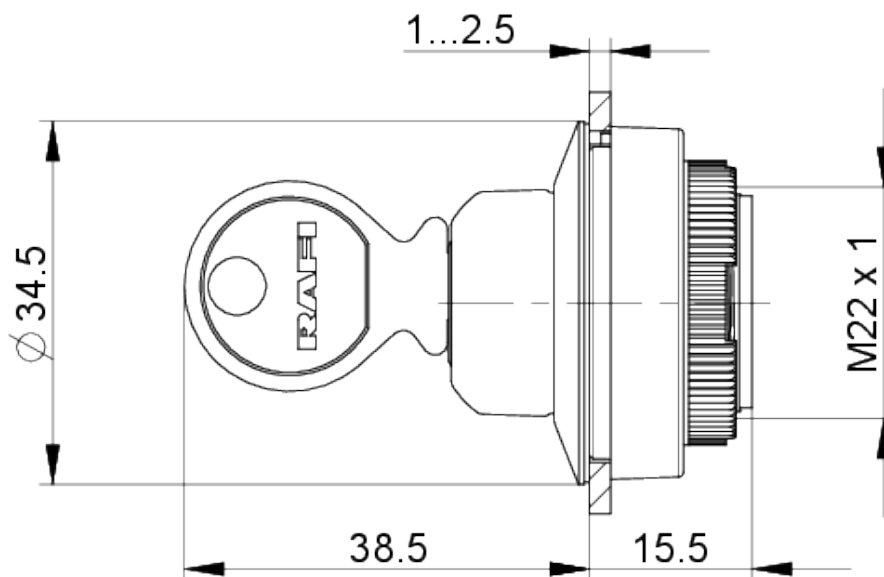
**Use according to UL:**

RAFIX control devices are defined at RAFI as modular elements, consisting of an actuating element, if necessary a coupling and an individual contact or lighting unit.

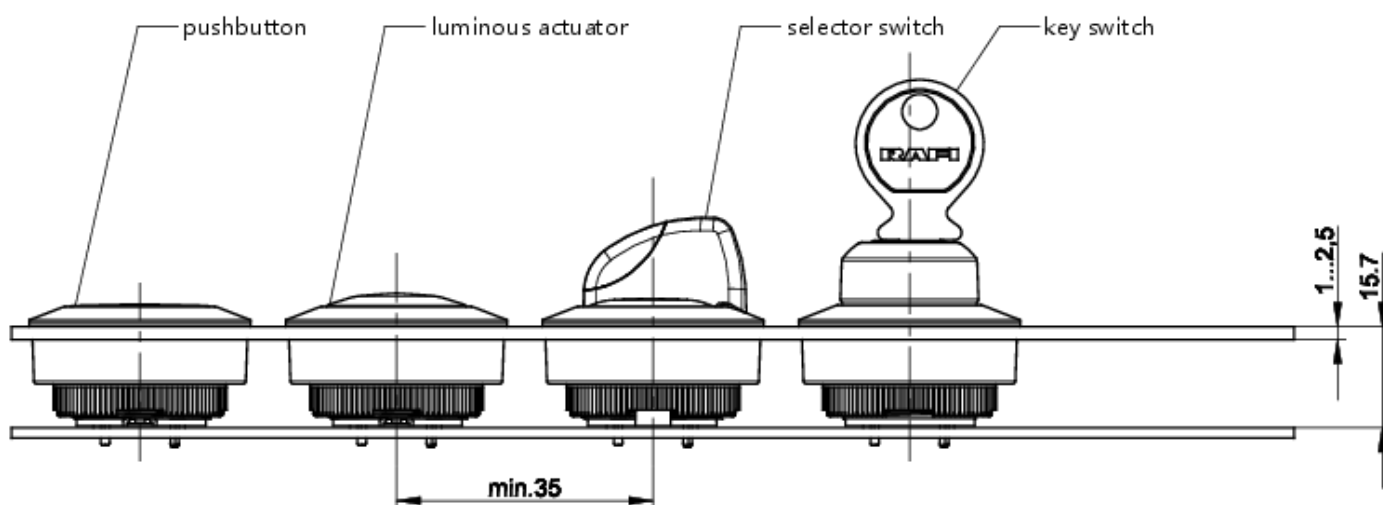
Actuating elements (such as pushbuttons, emergency stop actuators, etc.) have the intended tactility, reset and function only when assembled with the appropriate switching elements.

**drawings**

**Dimensioned drawing**



**System drawing**



**Mounting hole drawing**