

## RAFIX 30 FS<sup>+</sup>, illuminated selector switch, round collar, frontring stainless steel, 1 x 40°, momentary contact function, illuminable



### Description

The translucent handle marking can be illuminated if combined with a corresponding switching element.

For colored illumination of the handle marking, please use colored LEDs.



### technical data

#### > general

|   |  |
|---|--|
| Disassembly possible  | no   |
| Front ring color  | stainless steel  |
| Collar shape  | round  |
| Operating temperature, min.                                 | -25 °C   |
| Operating temperature, max.                                 | 70 °C  |
| Storage temperature, min.                                   | -40 °C   |
| Storage temperature, max.                                   | 80 °C  |
| illuminated   | Yes  |
| Packaging   | Box  |
| Packaging unit  | 10 pcs.  |
| Net weight  | 18.4 g   |
| Operating life  | 500,000 cycles   |
| B10   | 650,000 cycles   |
| Degree of protection, front side, according to DIN EN 60529 | IP65   |
| Environment resistance                                      | IEC 60068-2-14<br>IEC 60068-2-30<br>IEC 60068-2-33<br>IEC 60068-2-78 |
| Salt-spray resistance according to standard                 | IEC 60068-2-11   |
| Minimum order quantity (MOQ)                                | 10 pcs.  |
| RoHS compliant  | Yes  |
| REACH compliant   | Yes  |
| Country of origin   | HU   |

#### direct links

> [RAFI eCatalog](#)

#### > mounting diameters

|                           |         |
|---------------------------|---------|
| Outside dimension, length | 34.5 mm |
| Outside dimension, width  | 34.5 mm |
| Outside dimension, height | 32.5 mm |
| Mounting hole             | 30.3 mm |
| Mounting depth            | 15.7 mm |

|                     |            |
|---------------------|------------|
| Installation height | 17.43 mm   |
| Grid, min.          | 35 x 35 mm |
| Collar dimension    | ø 34,5 mm  |

**> mechanical data**

|                            |                            |
|----------------------------|----------------------------|
| Fixing                     | Threaded ring              |
| Actuation function         | momentary contact function |
| Operating torque, max.     | 1.5 Nm                     |
| Threaded ring torque, max. | 1.2 Nm                     |
| Rotating angle             | 1 x 40°                    |

**> Specifications according to UL 60947**

|                                |                |
|--------------------------------|----------------|
| UL Enclosure Type Rating front | type 1         |
| side                           | type 4X indoor |

**Use according to UL:**

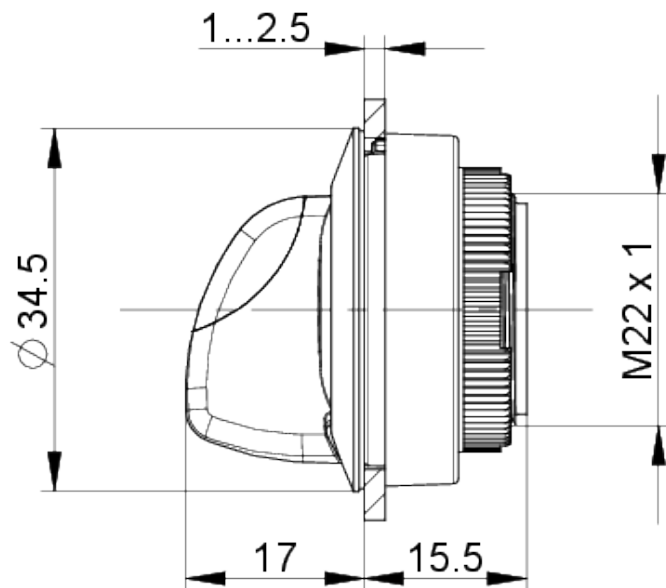
---

RAFIX control devices are defined at RAFI as modular elements, consisting of an actuating element, if necessary a coupling and an individual contact or lighting unit.

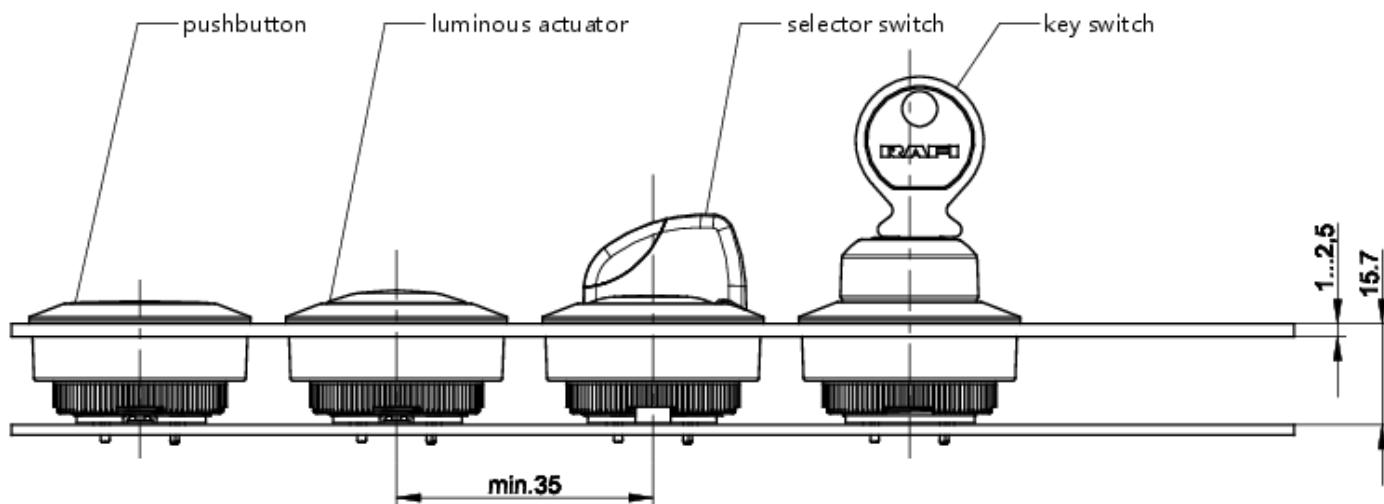
Actuating elements (such as pushbuttons, emergency stop actuators, etc.) have the intended tactility, reset and function only when assembled with the appropriate switching elements.

**drawings**

**Dimensioned drawing**



**System drawing**



**Mounting hole drawing**