

RAFIX 30 FS⁺, FLEXLAB illuminated pushbutton, round collar, momentary contact function, frontring stainless steel



Description

Pushbutton with translucent bezel. In combination with a corresponding switching element, the bezel can be fully illuminated.

The RAFIX FS+ FLEXLAB pushbutton gives the user the opportunity to individually label control components. Standard legending is offered for this. Alternatively, we offer a DIN A4 labelling sheet complete with pre-punched labels that can be printed using commercially available office laser printers. After printing, the legend inserts can be removed from the sheet and then inserted into the colour bezel with the help of the fine retaining lugs.



technical data

> general

Disassembly possible	no
Front ring color	stainless steel
Collar shape	round
Operating temperature, min.	-25 °C
Operating temperature, max.	70 °C
Storage temperature, min.	-40 °C
Storage temperature, max.	80 °C
illuminated	Yes
Packaging	Box
Packaging unit	10 pcs.
Net weight	13.4 g
Operating life	1,000,000 cycles
B10	1,300,000 cycles
Degree of protection, front side, according to DIN EN 60529	IP65
Environment resistance	IEC 60068-2-14 IEC 60068-2-30 IEC 60068-2-33 IEC 60068-2-78
Salt-spray resistance according to standard	IEC 60068-2-11
Impact resistance IK	08 frontal
Minimum order quantity (MOQ)	10 pcs.
RoHS compliant	Yes
REACH compliant	Yes
Country of origin	HU

direct links

> [RAFI eCatalog](#)

> mounting diameters

1.30.290.921/0000

Outside dimension, length	34.5 mm
Outside dimension, width	34.5 mm
Outside dimension, height	18.5 mm
Mounting hole	30.3 mm
Mounting depth	15.7 mm
Installation height	3.6 mm
Grid, min.	35 x 35 mm
Collar dimension	ø 34,5 mm

> mechanical data

Fixing	Threaded ring
Actuation function	momentary contact function
Operating force, max.	100 N
Operating travel, max.	4 mm
Threaded ring torque, max.	1.2 Nm

> Specifications according to UL 60947

UL Enclosure Type Rating front	type 1
side	type 4X indoor

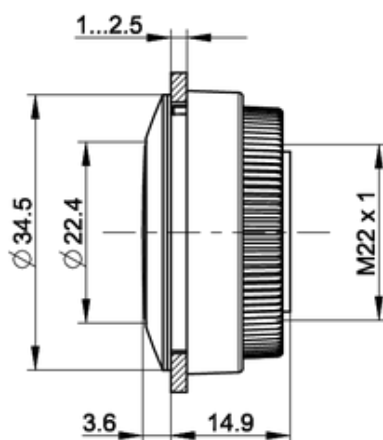
Use according to UL:

RAFIX control devices are defined at RAFI as modular elements, consisting of an actuating element, if necessary a coupling and an individual contact or lighting unit.

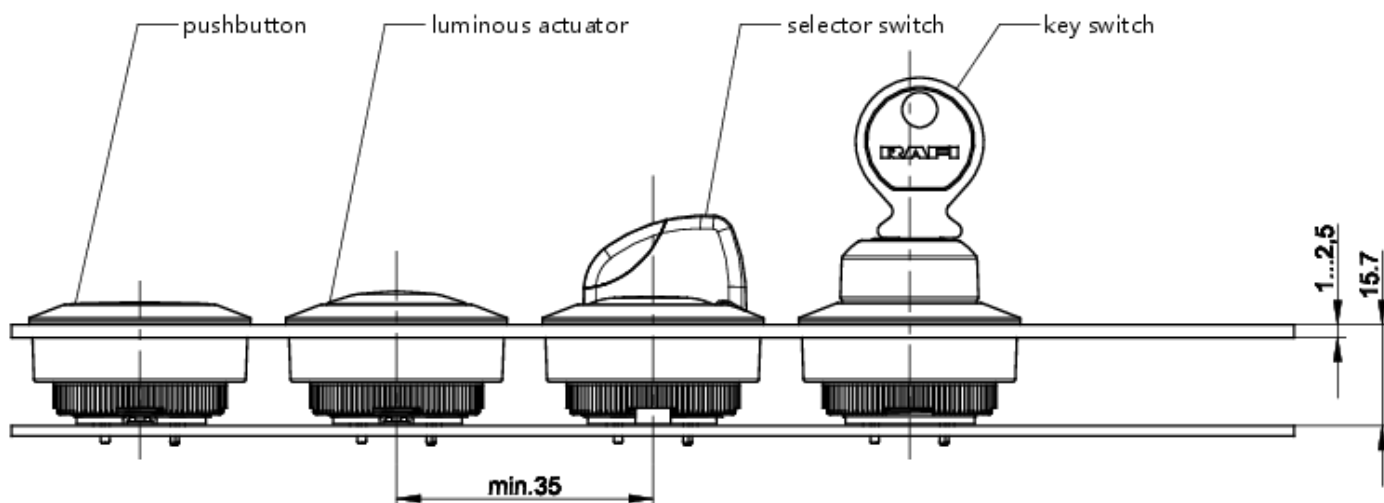
Actuating elements (such as pushbuttons, emergency stop actuators, etc.) have the intended tactility, reset and function only when assembled with the appropriate switching elements.

drawings

Dimensioned drawing



System drawing



Mounting hole drawing

