

# RAFIX 30 FS+, illuminated pushbutton, round collar, protruding bezel, momentary contact function, front ring stainless steel, bezel red

## Description

Pushbutton with translucent bezel. In combination with a corresponding switching element, the bezel can be fully illuminated.



## technical data

### > general

Disassembly possible	no
Bezel color	red
Property of bezel / mushroom	translucent
Front ring color	stainless steel
Collar shape	round
Operating temperature, min.	-25 °C
Operating temperature, max.	70 °C
Storage temperature, min.	-40 °C
Storage temperature, max.	80 °C
illuminated	Yes
Packaging	Box
Packaging unit	10 pcs.
Net weight	14.2 g
Operating life	1,000,000 cycles
B10	1,300,000 cycles
Degree of protection, front side, according to DIN EN 60529	IP65
Environment resistance	IEC 60068-2-14 IEC 60068-2-30 IEC 60068-2-33 IEC 60068-2-78
Salt-spray resistance according to standard	IEC 60068-2-11
Impact resistance IK	08 frontal
Minimum order quantity (MOQ)	10 pcs.
RoHS compliant	Yes
REACH compliant	Yes
Country of origin	HU

### > mounting diameters

Outside dimension, length	34.5 mm
---------------------------	---------

### direct links

> [RAFI eCatalog](#)

**1.30.290.221/2300**

Outside dimension, width	34.5 mm
Outside dimension, height	21.7 mm
Mounting hole	30.3 mm
Mounting depth	15.7 mm
Installation height	6.7 mm
Grid, min.	35 x 35 mm
Collar dimension	ø 34,5 mm

**> mechanical data**

Fixing	Threaded ring
Actuation function	momentary contact function
Operating force, max.	100 N
Operating travel, max.	4 mm
Threaded ring torque, max.	1.2 Nm

**> Specifications according to UL 60947**

UL Enclosure Type Rating front	type 1
side	type 4X indoor

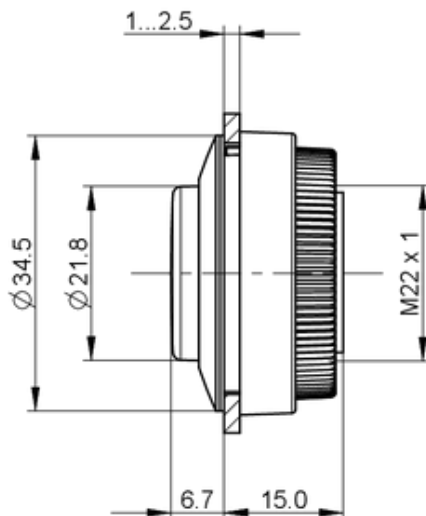
**Use according to UL:**

RAFIX control devices are defined at RAFI as modular elements, consisting of an actuating element, if necessary a coupling and an individual contact or lighting unit.

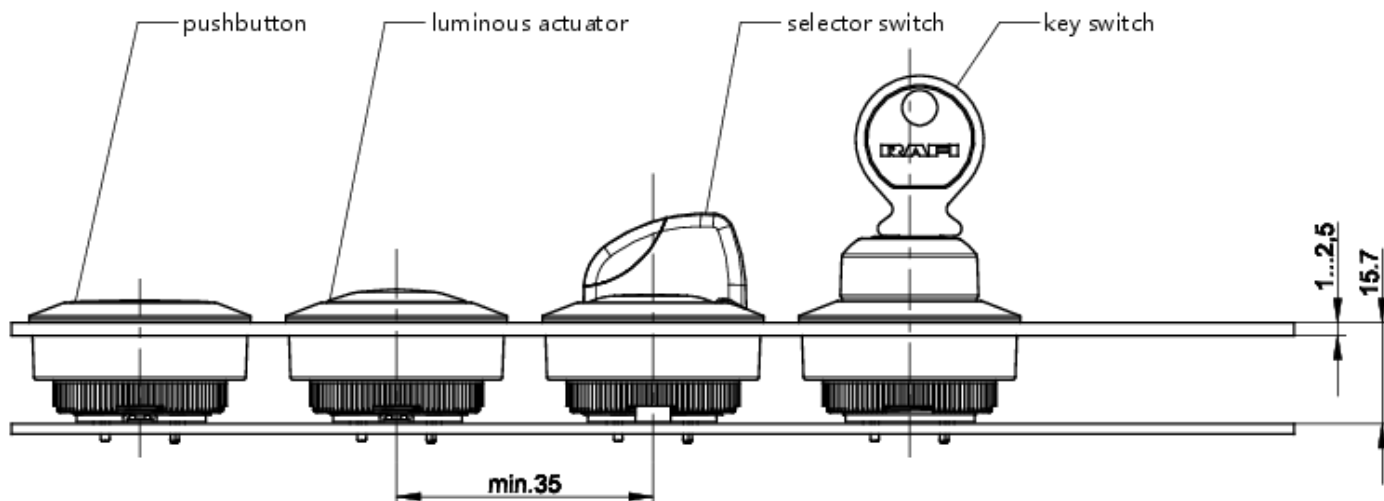
Actuating elements (such as pushbuttons, emergency stop actuators, etc.) have the intended tactility, reset and function only when assembled with the appropriate switching elements.

**drawings**

**Dimensioned drawing**



**System drawing**



**Mounting hole drawing**

