

## RAFIX 22 FSR, keylock switch, round collar, frontring black, 2 x 40°, momentary contact function, key removal position 0



### Description

The RAFIX 22 FSR keylock switches are fitted with a plastic protective cap, which protects against the ingress of dirt, water and the risk of icing up.

The locking systems we use have been created by reputable lock manufacturers in accordance with the DIN EN 1303 standard. They are open, mechanical systems that require occasional maintenance by the operator depending on the ambient conditions. The scope of delivery includes two keys.



### technical data

#### > general

Disassembly possible	no
Scope of delivery	2 keys
Front ring color	black
Collar shape	round
Operating temperature, min.	-40 °C
Operating temperature, max.	85 °C
Storage temperature, min.	-40 °C
Storage temperature, max.	85 °C
illuminated	No
Packaging	Box
Packaging unit	2 pcs.
Net weight	44.1 g
Operating life	300,000 cycles
B10	390,000 cycles
Degree of protection, front side, according to DIN EN 60529	IP65 IP69
Environment resistance	IEC 60068-2-14 IEC 60068-2-30 IEC 60068-2-33 IEC 60068-2-78
Salt-spray resistance according to standard	IEC 60068-2-11
Minimum order quantity (MOQ)	10 pcs.
RoHS compliant	Yes
REACH compliant	Yes
Country of origin	HU

#### > mounting diameters

Outside dimension, length	31.3 mm
Outside dimension, width	31.3 mm
Outside dimension, height	30.1 mm
Mounting hole	22.3 mm

#### direct links

> [RAFI eCatalog](#)

**1.30.285.101/0100**

Mounting depth	9.2 mm
Installation height	21.5 mm
Grid, min.	32 x 32 mm
Collar dimension	ø 31,3 mm

**> mechanical data**

Key removal position	0
Fixing	Threaded ring
Actuation function	momentary contact function
Operating torque, max.	1.3 Nm
Threaded ring torque, max.	1.2 Nm
Rotating angle	2 x 40°
Resistance to force on the side	130 N
Locking position	001

**> Specifications according to UL 60947**

UL Enclosure Type Rating front	type 1
side	type 4X indoor

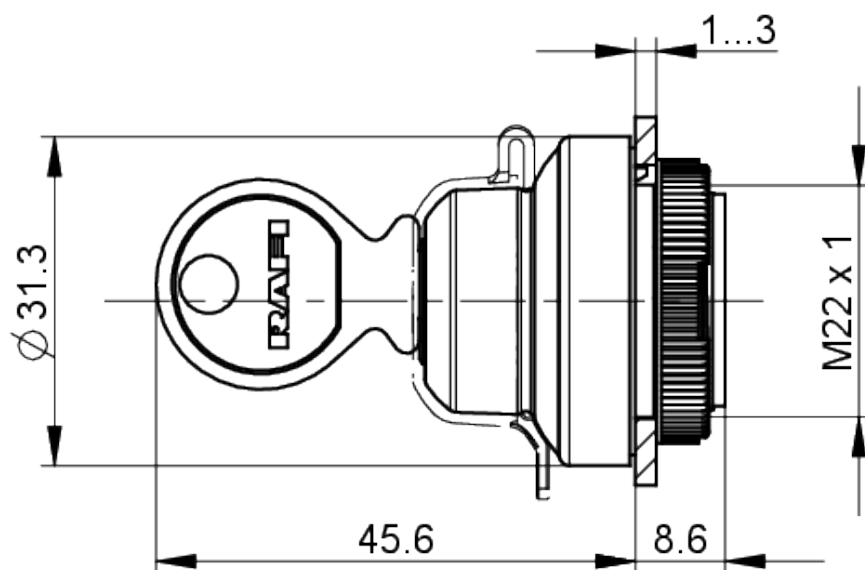
**Use according to UL:**

RAFIX control devices are defined at RAFI as modular elements, consisting of an actuating element, if necessary a coupling and an individual contact or lighting unit.

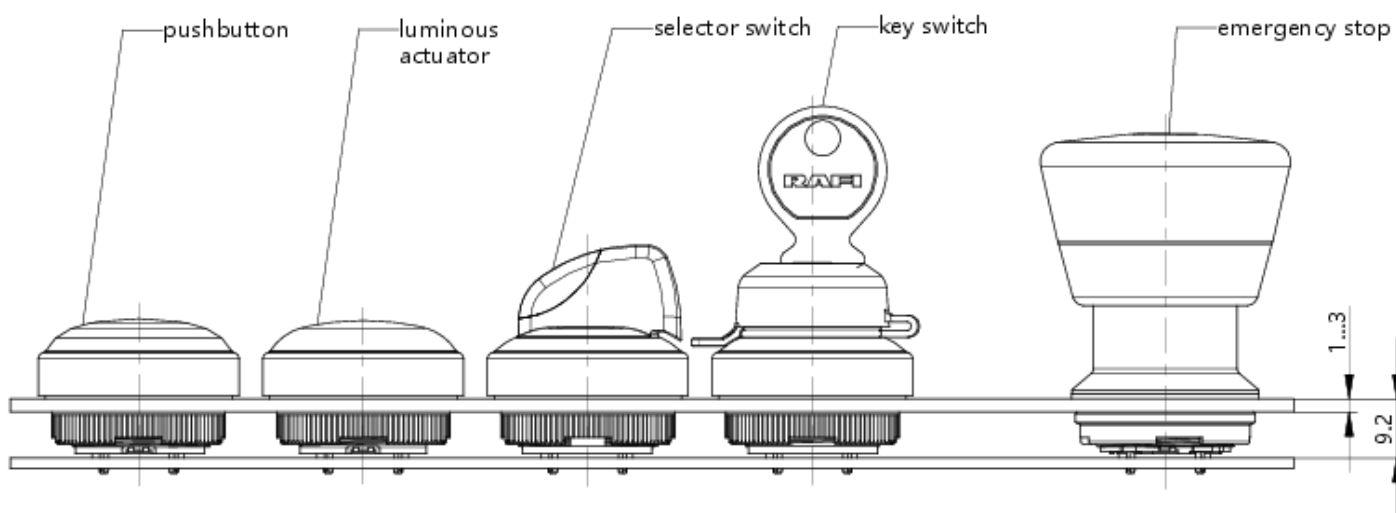
Actuating elements (such as pushbuttons, emergency stop actuators, etc.) have the intended tactility, reset and function only when assembled with the appropriate switching elements.

**drawings**

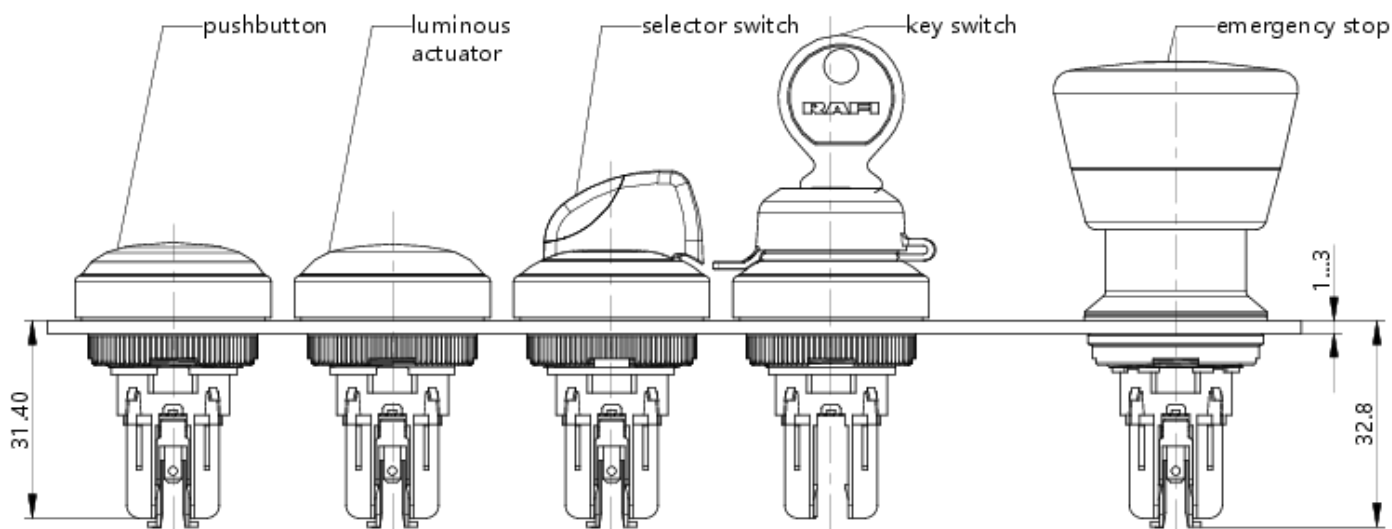
**Dimensioned drawing**



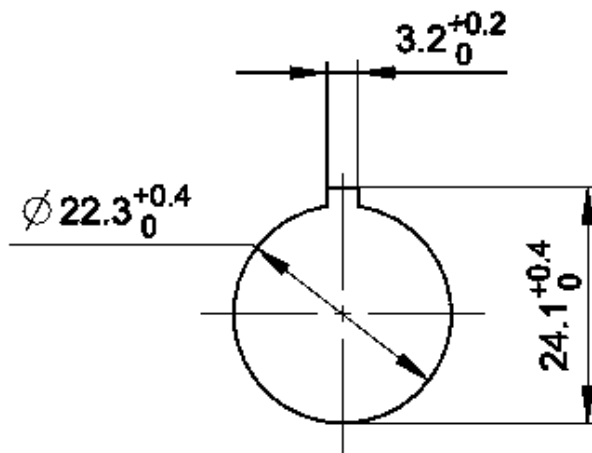
**System drawing**



**System drawing**



**Mounting hole drawing**



acc. to IEC 60947-5-1