

## RAFIX 22 FS<sup>+</sup>, USB feed-through, round collar, frontring metallic silver, USB 2.0 type B



### Description

The USB feed-through guarantees a stable installation of an easily-accessible USB slot in the front panels of control units and IPCs. Items that can be inserted into this slot include service keyboards or USB sticks in order to perform software updates. Commercially available USB cables of various lengths with type-B plugs can be used for the connection on the rear.

The slot is protected by a sealing cap and this cap ensures IP 65 degree of protection. The feed-through is simply installed by inserting it through the assembly hole from the front and then using a threaded ring on the rear side to fix it into place. The mounting depth is 27.7 mm. The customer can freely choose the front ring color of the USB feed-through so that it matches the design requirements.

USB 2.0

Terminal: USB type A on the front, USB type B on the rear



### technical data

#### > general

Bezel color	slate gray
Front ring color	metallic silver
Collar shape	round
Operating temperature, min.	-25 °C
Operating temperature, max.	70 °C
Storage temperature, min.	-40 °C
Storage temperature, max.	80 °C
illuminated	No
Packaging	Box
Packaging unit	2 pcs.
Net weight	17.1 g
Operating life	1,500 cycles
Degree of protection, front side, according to DIN EN 60529	IP65
Minimum order quantity (MOQ)	10 pcs.
RoHS compliant	Yes
REACH compliant	Yes
Country of origin	HU

#### > mounting diameters

Outside dimension, length	29.8 mm
Outside dimension, width	29.8 mm
Outside dimension, height	40.6 mm
Mounting hole	22.3 mm

#### direct links

> [RAFI eCatalog](#)

Installation height 11.5 mm

> **mechanical data**

Front side terminal USB 2.0 type A

Terminal on the rear USB 2.0 type B

Fixing Threaded ring

Threaded ring torque, max. 1.2 Nm

> **Specifications according to UL 60947**

UL Enclosure Type Rating front type 1

side type 4X indoor

## Use according to UL:

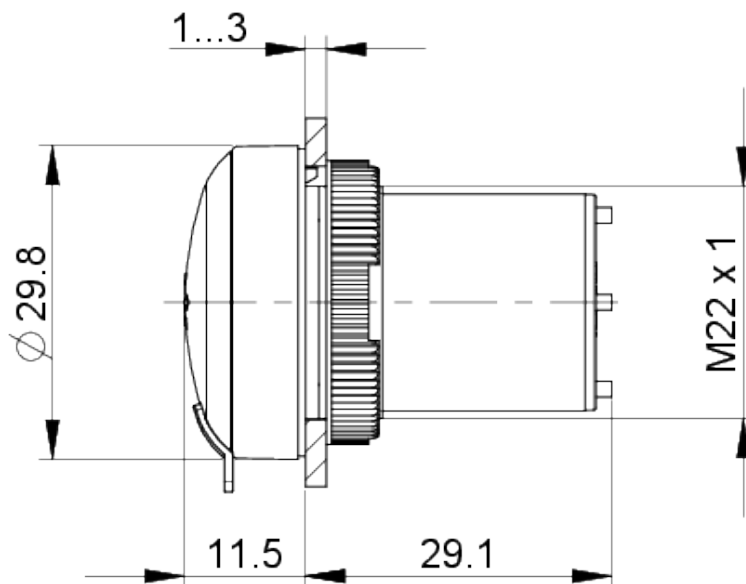
---

RAFIX control devices are defined at RAFI as modular elements, consisting of an actuating element, if necessary a coupling and an individual contact or lighting unit.

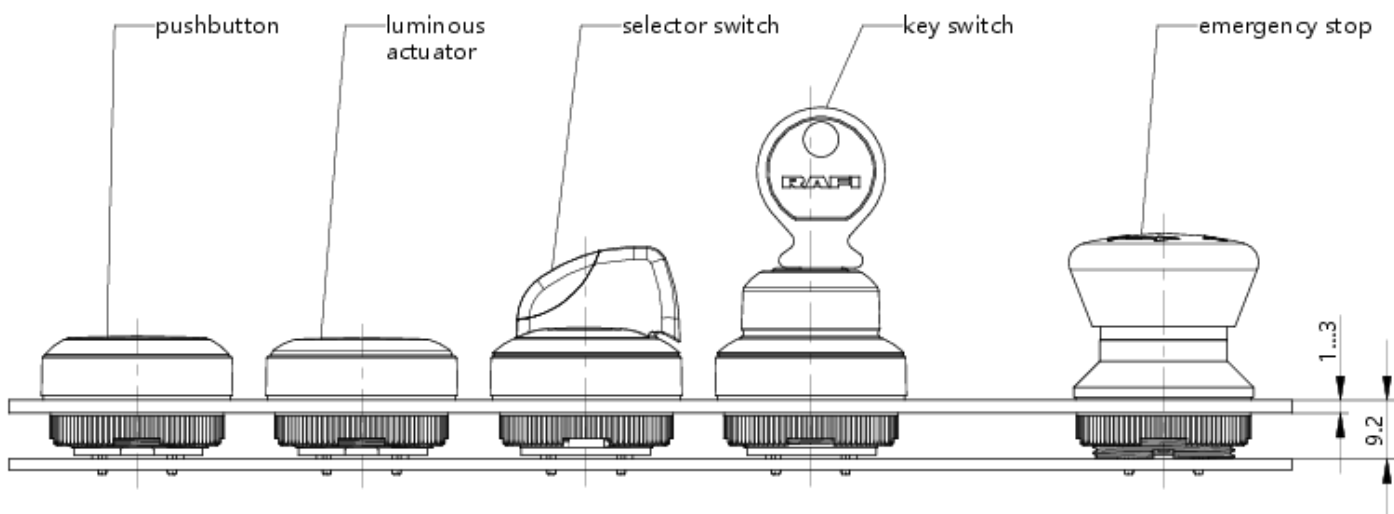
Actuating elements (such as pushbuttons, emergency stop actuators, etc.) have the intended tactility, reset and function only when assembled with the appropriate switching elements.

**drawings**

**Dimensioned drawing**



**System drawing**



**System drawing**



**Mounting hole drawing**



acc. to IEC 60947-5-1

front panel drawing

