

RAFIX 22 FS+, keylock switch SSG10, collar round, frontring metallic silver, 1 x 90°, 1 x 40°, latching / momentary, key removal position 0



Description

The locking systems we use were developed by renowned lock manufacturers in accordance with the DIN EN 1303 standard. They are open, mechanical systems which, depending on the environmental conditions, require occasional maintenance (e.g. greasing) by the machine or system operator.

We have developed and fully qualified our key switches with RAFI reference keys. Under certain circumstances, plant operators may be using various low-cost key copies or third-party keys whose function and tactility may differ.

The key switch "SSG10" is authorized and mainly used in industrial plants for the automotive industry. The scope of delivery includes one key.



technical data

> general

Disassembly possible	no
Scope of delivery	1 Key
Color	dark gray
Collar color	dark gray
Front ring color	metallic silver
Collar shape	round
Operating temperature, min.	-25 °C
Operating temperature, max.	70 °C
Storage temperature, min.	-40 °C
Storage temperature, max.	80 °C
illuminated	No
Packaging	Box
Packaging unit	2 pcs.
Net weight	50 g
Operating life	50,000 cycles
B10	71,660 cycles
Degree of protection, front side, according to DIN EN 60529	IP65
Minimum order quantity (MOQ)	10 pcs.
RoHS compliant	Yes
REACH compliant	Yes
Country of origin	HU

direct links

> [RAFI eCatalog](#)

> mounting diameters

Outside dimension, length	29.8 mm
Outside dimension, width	29.8 mm
Outside dimension, height	49.2 mm
Mounting hole	22.3 mm
Mounting depth	9.2 mm
Installation height	40.6 mm
Grid, min.	30 x 30 mm

> mechanical data

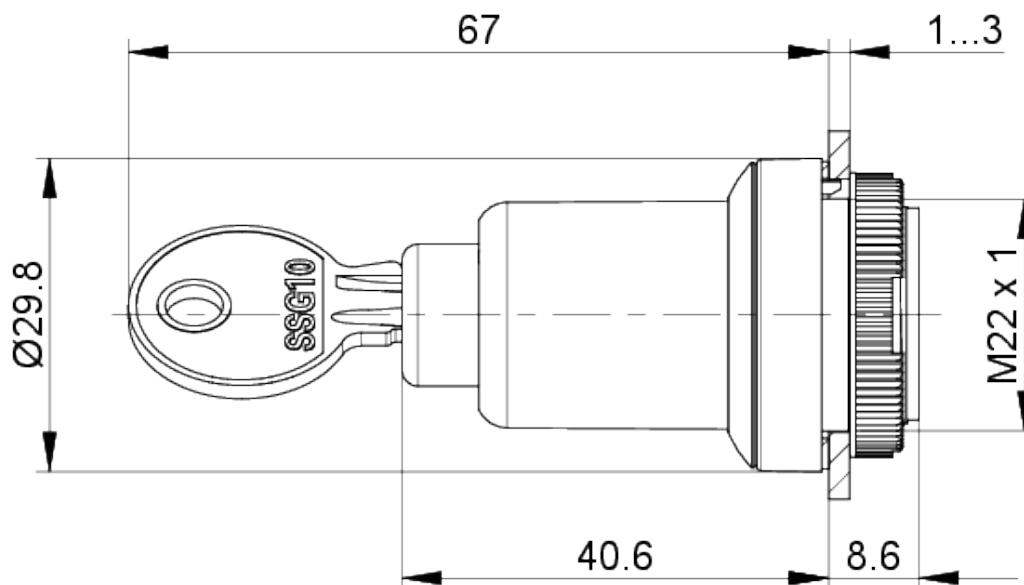
Key removal position	0
Number of locking positions	1
Fixing	Threaded ring
Actuation function	latching / momentary
Operating torque, max.	1.3 Nm
Threaded ring torque, max.	1.2 Nm
Rotating angle	1 x 90°, 1 x 40°
Resistance to force on the side	100 N
Locking position	SSG10

> Specifications according to UL 60947

UL Enclosure Type Rating front	type 1
side	type 4X indoor

drawings

Dimensioned drawing



System drawing



System drawing



Mounting hole drawing



acc. to IEC 60947-5-1

front panel drawing

