

RAFIX 22 FS⁺, compact keylock switch, round collar, frontring light gray, 2 x 40°, momentary contact function, key removal position 0



Description

The locking systems we use have been created by reputable lock manufacturers in accordance with the DIN EN 1303 standard. They are open, mechanical systems that require occasional maintenance by the operator depending on the ambient conditions.

Further locking positions or functions are available on request.



technical data

> general

| | |
|---|--|
| Disassembly possible | no |
| Scope of delivery | 2 keys |
| Front ring color | light gray |
| Collar shape | round |
| Operating temperature, min. | -25 °C |
| Operating temperature, max. | 70 °C |
| Storage temperature, min. | -40 °C |
| Storage temperature, max. | 80 °C |
| illuminated | No |
| Packaging | Box |
| Packaging unit | 2 pcs. |
| Net weight | 39.6 g |
| Operating life | 300,000 cycles |
| B10 | 390,000 cycles |
| Degree of protection, front side, according to DIN EN 60529 | IP65 |
| Environment resistance | IEC 60068-2-14 IEC 60068-2-30 IEC 60068-2-33 IEC 60068-2-78 |
| Salt-spray resistance according to standard | IEC 60068-2-11 |
| Minimum order quantity (MOQ) | 10 pcs. |
| RoHS compliant | Yes |
| REACH compliant | Yes |
| Country of origin | HU |

> mounting diameters

| | |
|---------------------------|---------|
| Outside dimension, length | 29.8 mm |
| Outside dimension, width | 29.8 mm |
| Outside dimension, height | 28.6 mm |

direct links

> [RAFI eCatalog](#)

| | |
|---------------------|------------|
| Mounting hole | 22.3 mm |
| Mounting depth | 9.2 mm |
| Installation height | 20 mm |
| Grid, min. | 30 x 30 mm |
| Collar dimension | ø 29,8 mm |

> mechanical data

| | |
|----------------------------|----------------------------|
| Key removal position | 0 |
| Fixing | Threaded ring |
| Actuation function | momentary contact function |
| Operating torque, max. | 1.3 Nm |
| Threaded ring torque, max. | 1.2 Nm |
| Rotating angle | 2 x 40° |
| Locking position | 001 |

> Specifications according to UL 60947

| | |
|--------------------------------|----------------|
| UL Enclosure Type Rating front | type 1 |
| side | type 4X indoor |

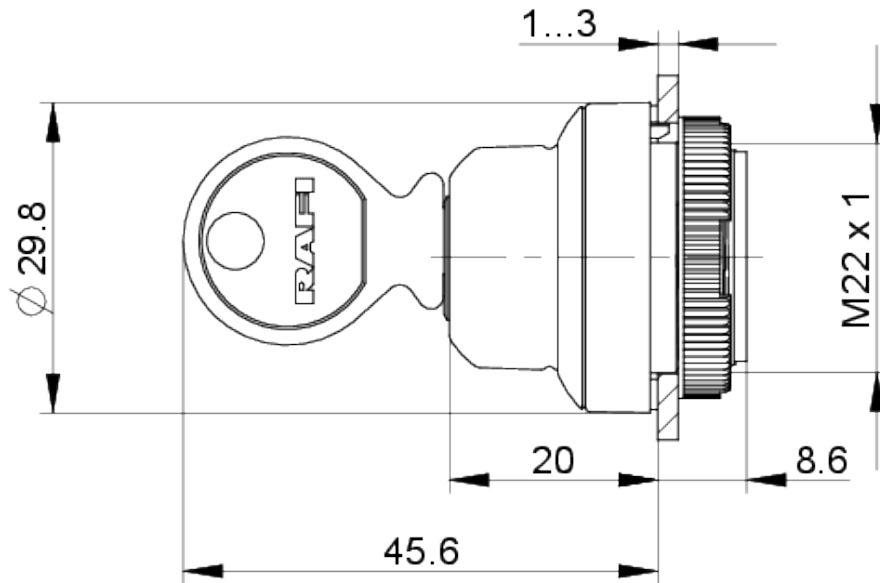
Use according to UL:

RAFIX control devices are defined at RAFI as modular elements, consisting of an actuating element, if necessary a coupling and an individual contact or lighting unit.

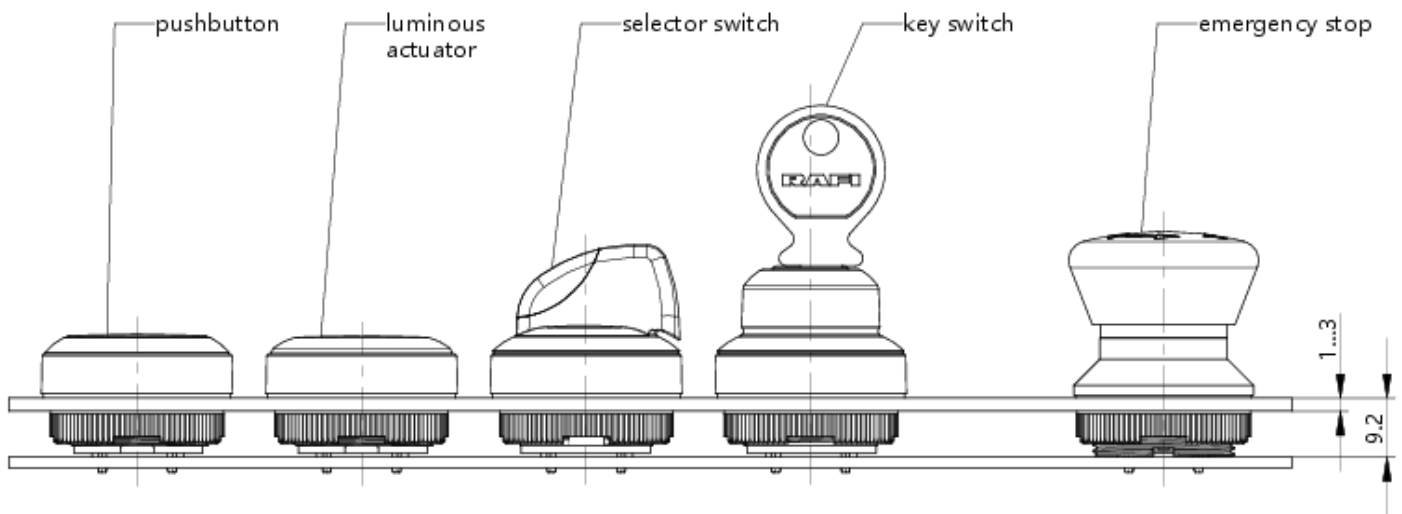
Actuating elements (such as pushbuttons, emergency stop actuators, etc.) have the intended tactility, reset and function only when assembled with the appropriate switching elements.

drawings

Dimensioned drawing



System drawing



System drawing



Mounting hole drawing



acc. to IEC 60947-5-1

front panel drawing

