

# RAFIX 22 FS<sup>+</sup>, pushbutton, protruding front ring, round collar, momentary contact function, frontring light gray, bezel black



## Description

Pushbuttons with opaque and therefore non-illuminable bezels.



## technical data

### > general

Disassembly possible	no
Bezel color	black
Property of bezel / mushroom	opaque
Front ring color	light gray
Collar shape	round
Operating temperature, min.	-25 °C
Operating temperature, max.	70 °C
Storage temperature, min.	-40 °C
Storage temperature, max.	80 °C
illuminated	No
Packaging	Box
Packaging unit	10 pcs.
Net weight	7.2 g
Operating life	1,000,000 cycles
B10	1,300,000 cycles
Degree of protection, front side, according to DIN EN 60529	IP65
Environment resistance	IEC 60068-2-14 IEC 60068-2-30 IEC 60068-2-33 IEC 60068-2-78
Salt-spray resistance according to standard	IEC 60068-2-11
Minimum order quantity (MOQ)	10 pcs.
RoHS compliant	Yes
REACH compliant	Yes
Country of origin	HU

### > mounting diameters

Outside dimension, length	29.8 mm
Outside dimension, width	29.8 mm
Outside dimension, height	21.5 mm
Mounting hole	22.3 mm
Mounting depth	9.2 mm
Installation height	12.85 mm

### direct links

> [RAFI eCatalog](#)

Grid, min. 30 x 30 mm

Collar dimension  $\varnothing$  29,8 mm

> **mechanical data**

Fixing Threaded ring

Actuation function momentary contact function

Operating force, max. 100 N

Operating travel, max. 4 mm

Threaded ring torque, max. 1.2 Nm

> **Specifications according to UL 60947**

UL Enclosure Type Rating front type 1

side type 4X indoor

## Use according to UL:

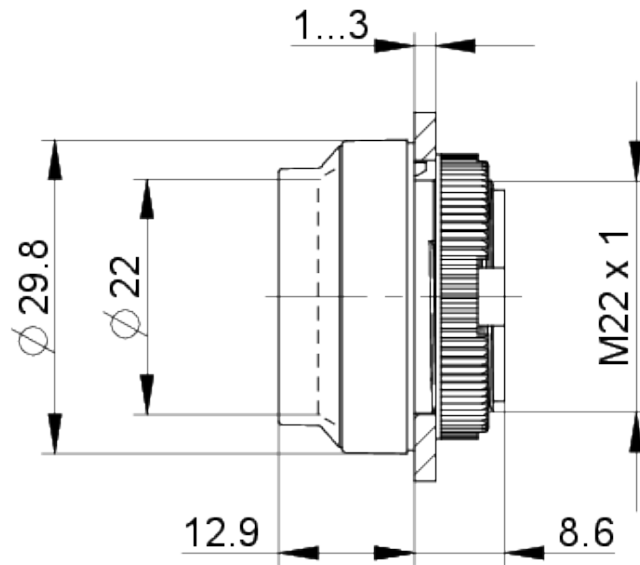
---

RAFIX control devices are defined at RAFI as modular elements, consisting of an actuating element, if necessary a coupling and an individual contact or lighting unit.

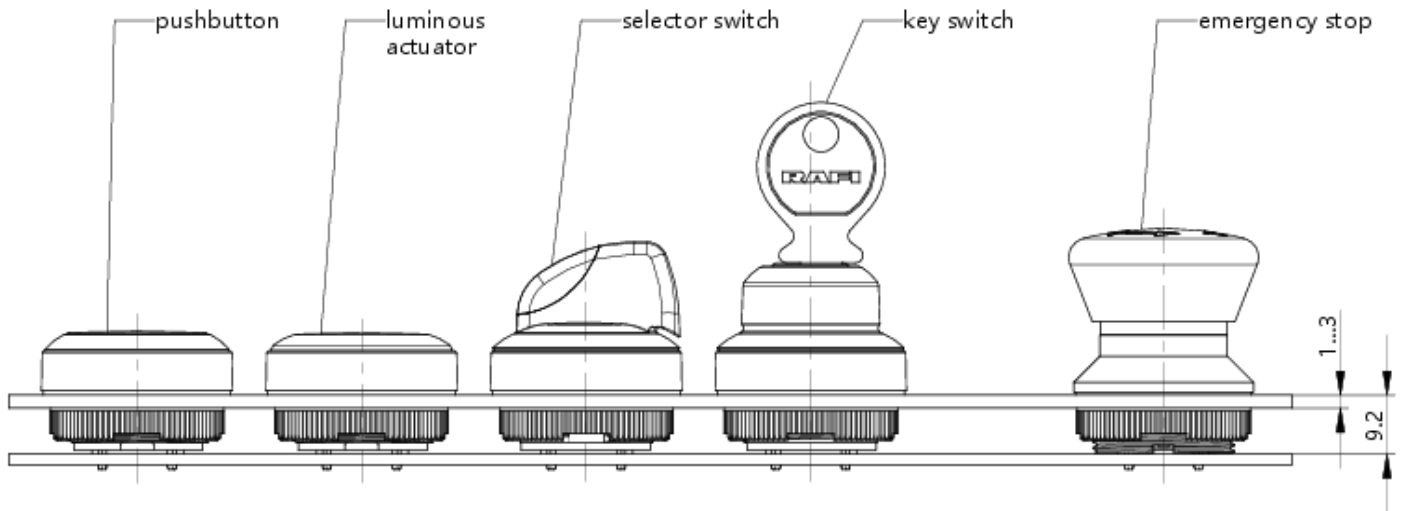
Actuating elements (such as pushbuttons, emergency stop actuators, etc.) have the intended tactility, reset and function only when assembled with the appropriate switching elements.

**drawings**

**Dimensioned drawing**



**System drawing**



**System drawing**



**Mounting hole drawing**



acc. to IEC 60947-5-1

front panel drawing

