

# RAFIX 22 FS<sup>+</sup>, illuminated pushbutton with protective cap, round collar, momentary contact function, frontring black, bezel green

## Description

Illuminated pushbutton, with protective cap for use in more difficult environmental conditions.



## technical data

### > general

Disassembly possible	no
Bezel color	green
Property of bezel / mushroom	translucent
Front ring color	black
Collar shape	round
Operating temperature, min.	-25 °C
Operating temperature, max.	70 °C
Storage temperature, min.	-40 °C
Storage temperature, max.	80 °C
illuminated	Yes
Packaging	Box
Packaging unit	10 pcs.
Net weight	6.8 g
Operating life	1,000,000 cycles
B10	1,300,000 cycles
Degree of protection, front side, according to DIN EN 60529	IP65
Degree of protection, front side, according to ISO 20653	IP6K9K at 23°C water temperature
Environment resistance	IEC 60068-2-14 IEC 60068-2-30 IEC 60068-2-33 IEC 60068-2-78
Salt-spray resistance according to standard	IEC 60068-2-11
Minimum order quantity (MOQ)	10 pcs.
RoHS compliant	Yes
REACH compliant	Yes
Country of origin	HU

### > mounting diameters

Outside dimension, length	29.8 mm
---------------------------	---------

### direct links

> [RAFI eCatalog](#)

Outside dimension, width	29.8 mm
Outside dimension, height	20.7 mm
Mounting hole	22.3 mm
Mounting depth	9.2 mm
Installation height	9.85 mm
Grid, min.	30 x 30 mm
Collar dimension	ø 29,8 mm

**> mechanical data**

Fixing	Threaded ring
Actuation function	momentary contact function
Operating force, max.	100 N
Operating travel, max.	4 mm
Threaded ring torque, max.	1.2 Nm

**> Specifications according to UL 60947**

UL Enclosure Type Rating front	type 1
side	type 4X indoor

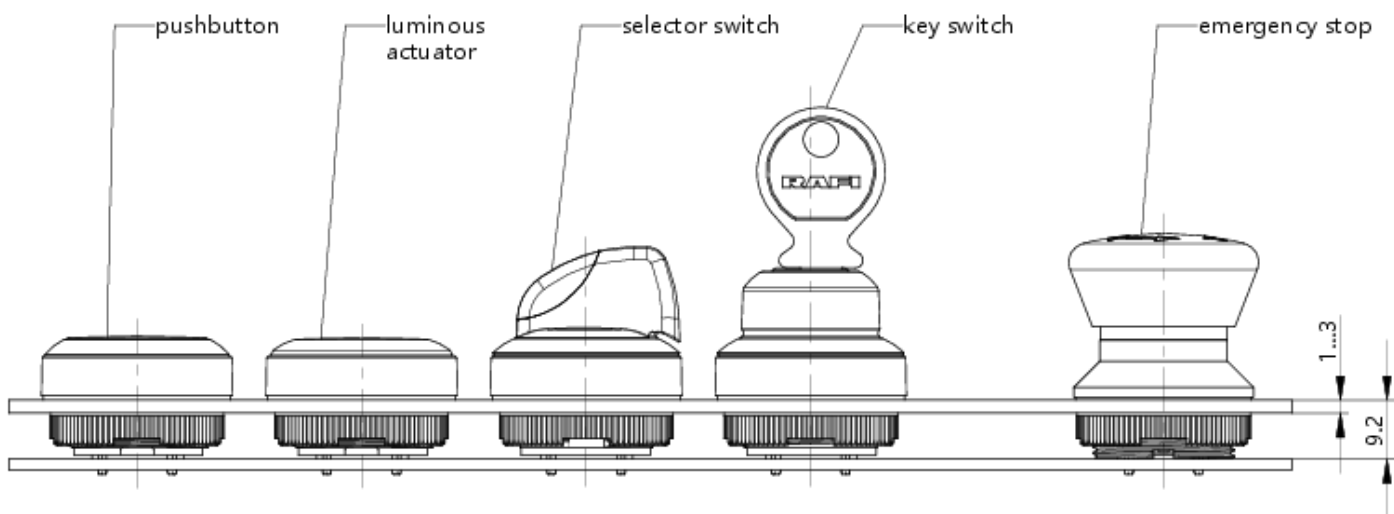
**Use according to UL:**

RAFIX control devices are defined at RAFI as modular elements, consisting of an actuating element, if necessary a coupling and an individual contact or lighting unit.

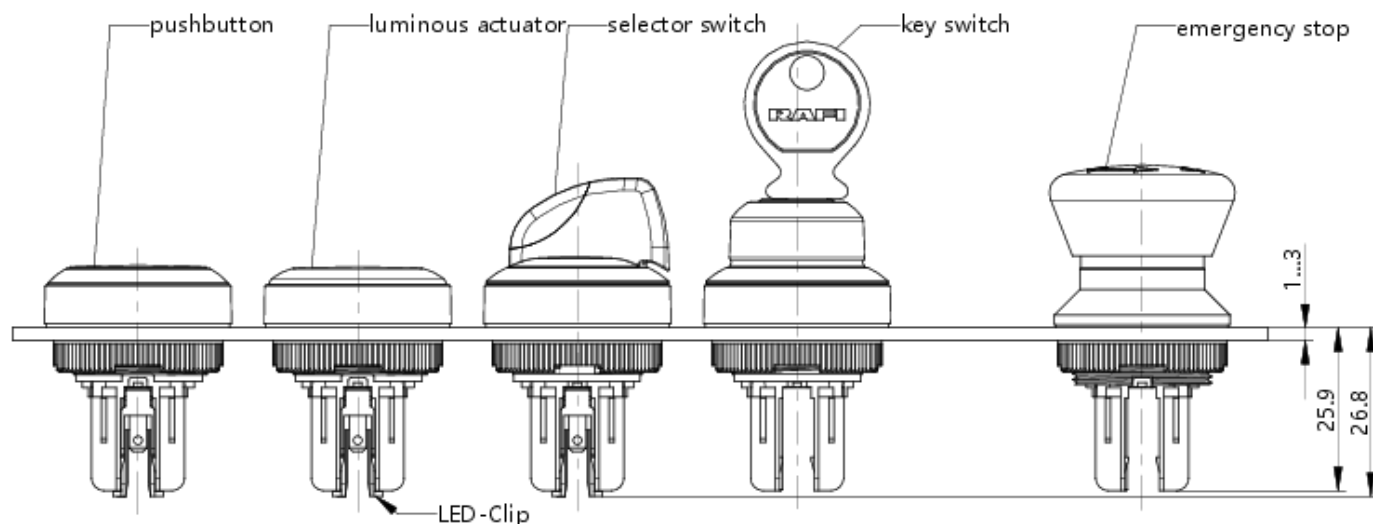
Actuating elements (such as pushbuttons, emergency stop actuators, etc.) have the intended tactility, reset and function only when assembled with the appropriate switching elements.

**drawings**

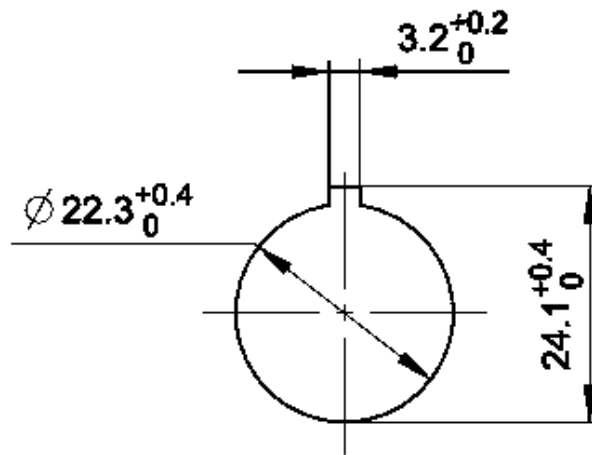
**System drawing**



**System drawing**



**Mounting hole drawing**



acc. to IEC 60947-5-1

**front panel drawing**

