

RAFIX 22 FS⁺, illuminated pushbutton with protective cap, round collar, momentary contact function, frontring light gray, bezel red

Description

Illuminated pushbutton, with protective cap for use in more difficult environmental conditions.



technical data

> general

| | |
|---|--|
| Disassembly possible | no |
| Bezel color | red |
| Property of bezel / mushroom | translucent |
| Front ring color | light gray |
| Collar shape | round |
| Operating temperature, min. | -25 °C |
| Operating temperature, max. | 70 °C |
| Storage temperature, min. | -40 °C |
| Storage temperature, max. | 80 °C |
| illuminated | Yes |
| Packaging | Box |
| Packaging unit | 10 pcs. |
| Net weight | 6.8 g |
| Operating life | 1,000,000 cycles |
| B10 | 1,300,000 cycles |
| Degree of protection, front side, according to DIN EN 60529 | IP65 |
| Degree of protection, front side, according to ISO 20653 | IP6K9K at 23°C water temperature |
| Environment resistance | IEC 60068-2-14 IEC 60068-2-30 IEC 60068-2-33 IEC 60068-2-78 |
| Salt-spray resistance according to standard | IEC 60068-2-11 |
| Minimum order quantity (MOQ) | 10 pcs. |
| RoHS compliant | Yes |
| REACH compliant | Yes |
| Country of origin | HU |

> mounting diameters

| | |
|---------------------------|---------|
| Outside dimension, length | 29.8 mm |
|---------------------------|---------|

direct links

> [RAFI eCatalog](#)

| | |
|---------------------------|------------|
| Outside dimension, width | 29.8 mm |
| Outside dimension, height | 20.7 mm |
| Mounting hole | 22.3 mm |
| Mounting depth | 9.2 mm |
| Installation height | 9.85 mm |
| Grid, min. | 30 x 30 mm |
| Collar dimension | ø 29,8 mm |

> mechanical data

| | |
|----------------------------|----------------------------|
| Fixing | Threaded ring |
| Actuation function | momentary contact function |
| Operating force, max. | 100 N |
| Operating travel, max. | 4 mm |
| Threaded ring torque, max. | 1.2 Nm |

> Specifications according to UL 60947

| | |
|--------------------------------|----------------|
| UL Enclosure Type Rating front | type 1 |
| side | type 4X indoor |

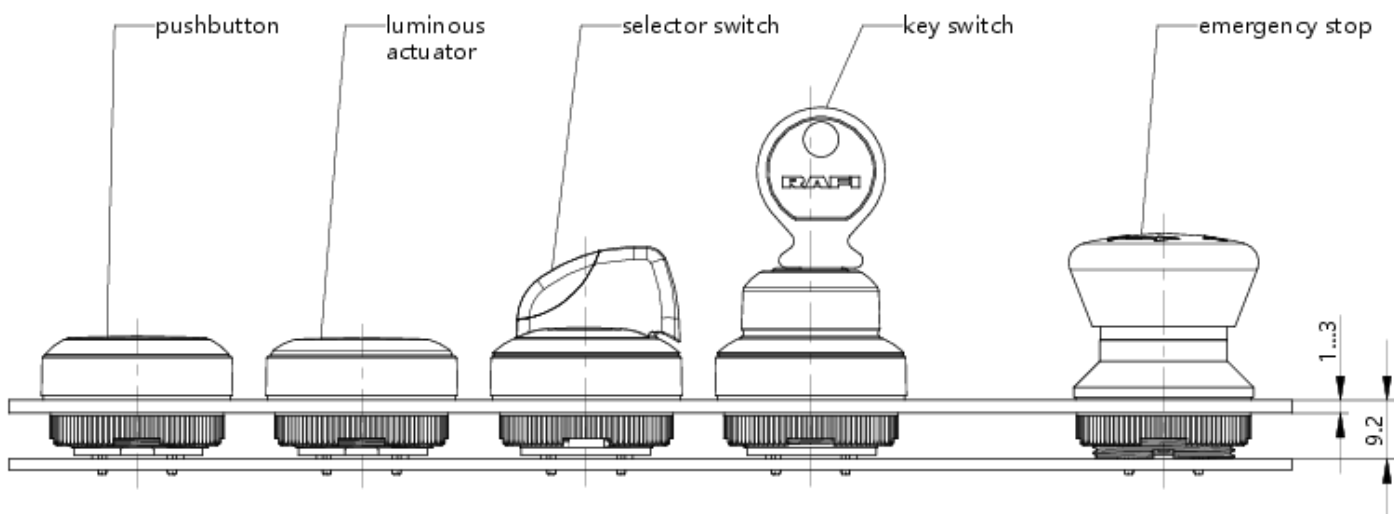
Use according to UL:

RAFIX control devices are defined at RAFI as modular elements, consisting of an actuating element, if necessary a coupling and an individual contact or lighting unit.

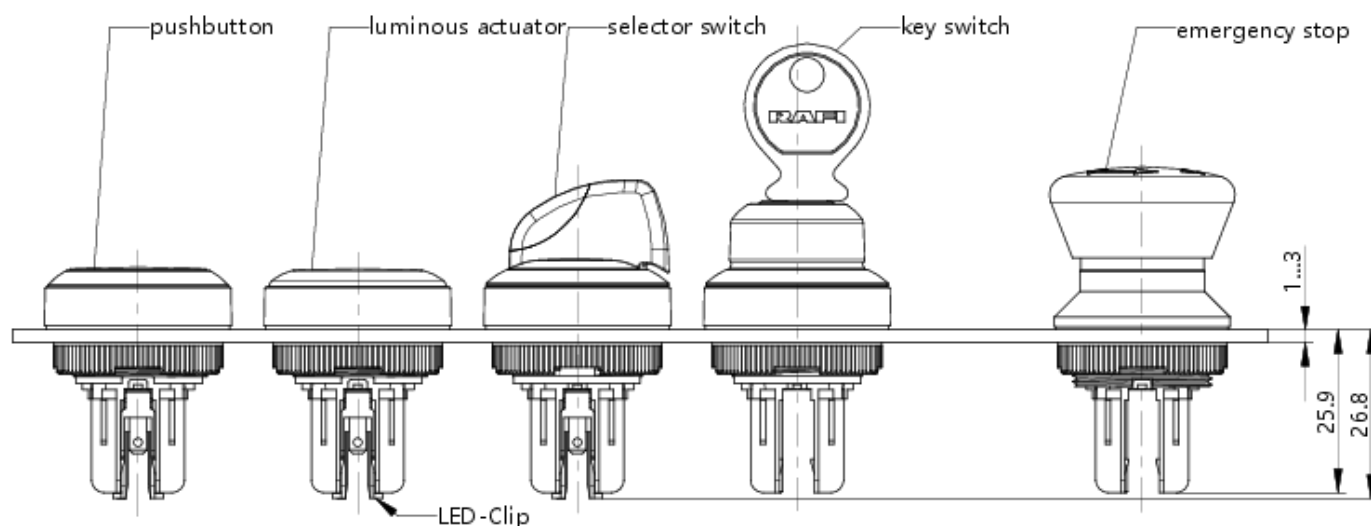
Actuating elements (such as pushbuttons, emergency stop actuators, etc.) have the intended tactility, reset and function only when assembled with the appropriate switching elements.

drawings

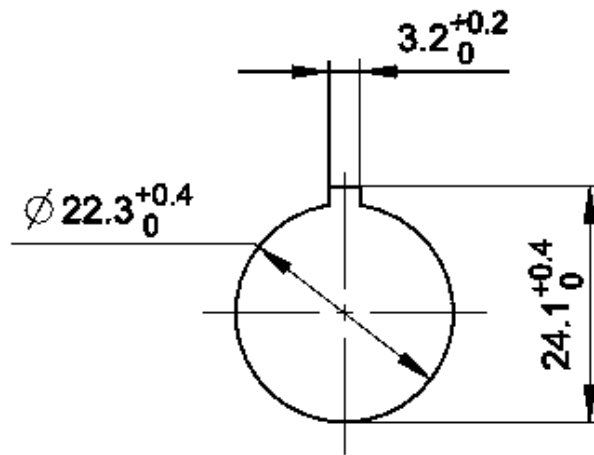
System drawing



System drawing



Mounting hole drawing



acc. to IEC 60947-5-1

front panel drawing

