

## RAFIX 22 QR, potentiometer-type drive, round collar, frontring slate gray



### Description

For potentiometers with **shaft diameter 6 mm** and **50 mm axis length**. Potentiometer not supplied.

### technical data

#### > general

Front ring color	slate gray
Collar shape	round
Operating temperature, min.	-25 °C
Operating temperature, max.	70 °C
Storage temperature, min.	-40 °C
Storage temperature, max.	80 °C
illuminated	No
Packaging	Box
Packaging unit	2 pcs.
Net weight	10.8 g
Degree of protection, front side, according to DIN EN 60529	IP65
Environment resistance	IEC 60068-2-14 IEC 60068-2-30 IEC 60068-2-33 IEC 60068-2-78
Minimum order quantity (MOQ)	10 pcs.
RoHS compliant	Yes
REACH compliant	Yes
Country of origin	HU

#### > mounting diameters

Outside dimension, length	29.8 mm
Outside dimension, width	29.8 mm
Outside dimension, height	60.5 mm
Mounting hole	22.3 mm
Installation height	26.2 mm
Grid, min.	50 x 30 mm
Collar dimension	ø 29,8 mm

#### > mechanical data

Fixing	Threaded ring
Threaded ring torque, max.	1.2 Nm

#### direct links

> [RAFI eCatalog](#)

**Use according to UL:**

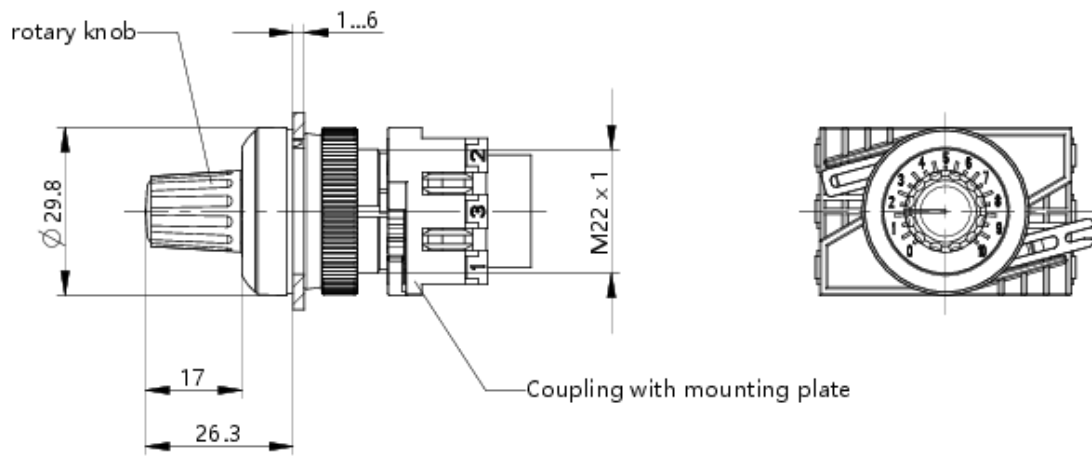
---

RAFIX control devices are defined at RAFI as modular elements, consisting of an actuating element, if necessary a coupling and an individual contact or lighting unit.

Actuating elements (such as pushbuttons, emergency stop actuators, etc.) have the intended tactility, reset and function only when assembled with the appropriate switching elements.

**drawings**

**System drawing**



**front panel drawing**

