

RAFIX 22 QR, mushroom pushbutton 40 mm, round collar, momentary contact function, frontring light gray, Mushroom head black



Description

RAFIX control units are modular units consisting of several parts. In the RAFIX 22 QR family, they always consist of an actuating element, coupling, and switching element, or of a light attachment, coupling, and lamp socket. For assembly, the switching elements and lamp holders are first snapped into the coupling. Then this unit is snapped onto the actuating element or the signal lamp. To release, a bayonet lever must be actuated.

Actuating elements (such as pushbuttons or emergency stop actuators) have the specified tactility and function only when assembled with the appropriate switching elements. For illuminated actuators and illuminated attachments, please use a lamp socket / LED element as the middle element in the coupling.

For RAFIX 22 QR actuating elements, you can choose between two collar shapes: round and square. The mounting diameter is 22.3 mm according to the standard. The anti-rotation lug can be easily removed with a screwdriver if necessary.

Additional information according to UL certificate:

- These devices should be mounted in an overall enclosure with sufficient stability and with the specified clearances.



technical data

➤ general

| | |
|-----------------------------|------------------|
| Color of mushroom | black |
| Front ring color | light gray |
| Collar shape | round |
| Operating temperature, min. | -25 °C |
| Operating temperature, max. | 70 °C |
| Storage temperature, min. | -40 °C |
| Storage temperature, max. | 80 °C |
| illuminated | No |
| Packaging | Box |
| Packaging unit | 5 pcs. |
| Net weight | 20.8 g |
| Operating life | 1,000,000 cycles |

direct links

- [RAFI eCatalog](#)

| | |
|--|--|
| B10 | 1,300,000 cycles |
| Degree of protection, front side, according to DIN EN 60529 | IP65 |
| Environment resistance | IEC 60068-2-14 IEC 60068-2-30 IEC 60068-2-33 IEC 60068-2-78 |
| Minimum order quantity (MOQ) | 10 pcs. |
| RoHS compliant | Yes |
| REACH compliant | Yes |
| Country of origin | HU |
| > mounting diameters | |
| Outside dimension, length | 40 mm |
| Outside dimension, width | 40 mm |
| Outside dimension, height | 43 mm |
| Mounting hole | 22.3 mm |
| Mounting depth | 56.4 mm |
| Installation height | 20.1 mm |
| Grid, min. | 50 x 30 mm |
| Collar dimension | ø 29,8 mm |
| > mechanical data | |
| Fixing | Threaded ring |
| Actuation function | momentary contact function |
| Operating force, max. | 100 N |
| Threaded ring torque, max. | 1.2 Nm |

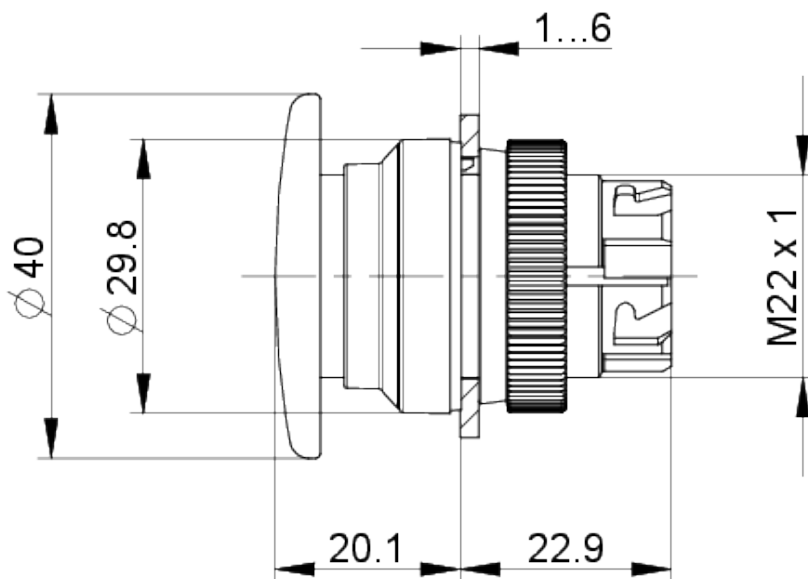
Use according to UL:

RAFIX control devices are defined at RAFI as modular elements, consisting of an actuating element, if necessary a coupling and an individual contact or lighting unit.

Actuating elements (such as pushbuttons, emergency stop actuators, etc.) have the intended tactility, reset and function only when assembled with the appropriate switching elements.

drawings

Dimensioned drawing



System drawing

