

RAFIX 22 QR, keylock switch, round collar, frontring metallic silver, 1 x 90°, 1 x 40°, momentary contact function / latching, key removal position 0



Description

RAFIX control units are modular units consisting of several parts. In the RAFIX 22 QR family, they always consist of an actuating element, coupling and switching element. Then this unit is snapped onto the key switch. To release, a bayonet lever must be actuated.

RAFIX 22QR key switches have the specified tactility and function only when assembled with the appropriate switching elements. You can choose between two collar shapes: round and square. The mounting diameter is 22.3 mm according to the standard. The anti-rotation lug can be easily removed with a screwdriver if necessary.

The locking systems we use were created according to the DIN EN 1303 standard by well-known lock manufacturers. They are open, mechanical systems which, depending on the environmental conditions, require occasional maintenance by the machine or system operator.



technical data

> general

| | |
|---|--|
| Scope of delivery | 2 keys |
| Front ring color | metallic silver |
| Collar shape | round |
| Operating temperature, min. | -25 °C |
| Operating temperature, max. | 70 °C |
| Storage temperature, min. | -40 °C |
| Storage temperature, max. | 80 °C |
| illuminated | No |
| Packaging | Box |
| Packaging unit | 2 pcs. |
| Net weight | 42.3 g |
| Operating life | 50,000 cycles |
| B10 | 65,000 cycles |
| Degree of protection, front side, according to DIN EN 60529 | IP65 |
| Environment resistance | IEC 60068-2-14 IEC 60068-2-30 IEC 60068-2-33 IEC 60068-2-78 |
| Protection class | II |
| Minimum order quantity (MOQ) | 10 pcs. |

direct links

> [RAFI eCatalog](#)

| | |
|--------------------------------|---------------------------------------|
| RoHS compliant | Yes |
| REACH compliant | Yes |
| Country of origin | HU |
| > mounting diameters | |
| Outside dimension, length | 29.8 mm |
| Outside dimension, width | 29.8 mm |
| Outside dimension, height | 53.5 mm |
| Mounting hole | 22.3 mm |
| Mounting depth | 56.4 mm |
| Installation height | 30.6 mm |
| Grid, min. | 50 x 30 mm |
| Collar dimension | ø 29,8 mm |
| > mechanical data | |
| Key removal position | 0 |
| Fixing | Threaded ring |
| Actuation function | momentary contact function / latching |
| Operating torque, max. | 2 Nm |
| Threaded ring torque, max. | 1.2 Nm |
| Rotating angle | 1 x 90°, 1 x 40° |
| Locking position | 455 |
| Key lock | Ronis |

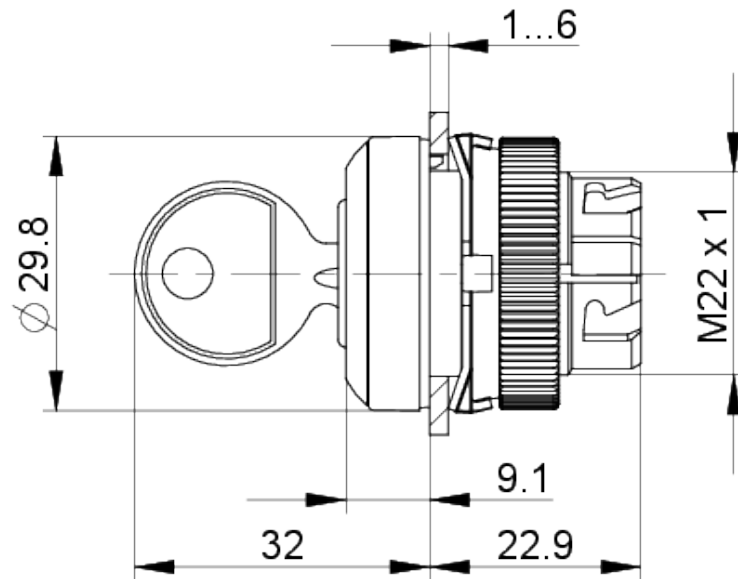
Use according to UL:

RAFIX control devices are defined at RAFI as modular elements, consisting of an actuating element, if necessary a coupling and an individual contact or lighting unit.

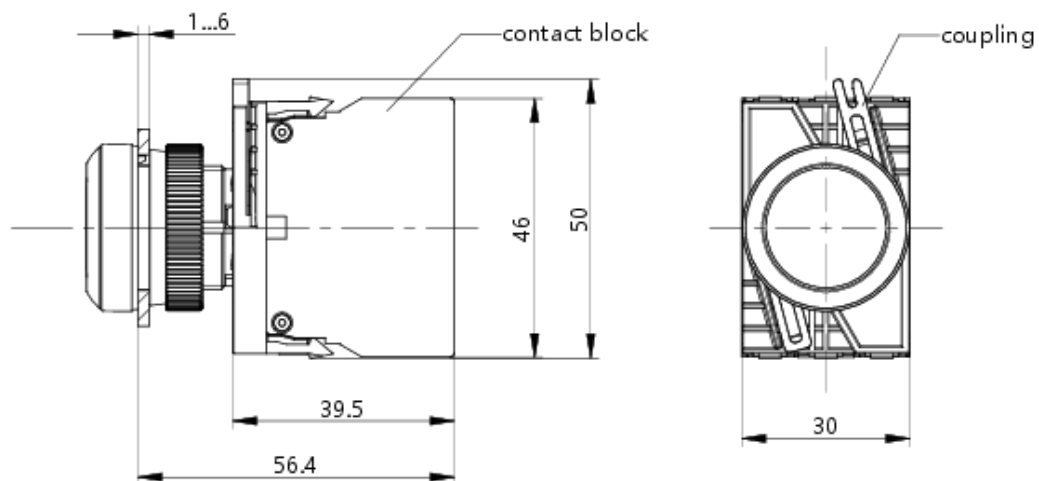
Actuating elements (such as pushbuttons, emergency stop actuators, etc.) have the intended tactility, reset and function only when assembled with the appropriate switching elements.

drawings

Dimensioned drawing



System drawing



front panel drawing

