

## RAFIX 22 QR, pushbutton, flat bezel, round collar, momentary contact function, frontring slate gray, bezel white



### Description

RAFIX control units are modular units consisting of several parts. In the RAFIX 22 QR family, they always consist of an actuating element, coupling, and switching element, or of a light attachment, coupling, and lamp socket. For assembly, the switching elements and lamp holders are first snapped into the coupling. Then this unit is snapped onto the actuating element or the signal lamp. To release, a bayonet lever must be actuated.

Actuating elements (such as pushbuttons or emergency stop actuators) have the specified tactility and function only when assembled with the appropriate switching elements. For illuminated actuators and illuminated attachments, please use a lamp socket / LED element as the middle element in the coupling.

For RAFIX 22 QR actuating elements, you can choose between two collar shapes: round and square. The mounting diameter is 22.3 mm according to the standard. The anti-rotation lug can be easily removed with a screwdriver if necessary.

### Additional information according to UL certificate:

- These devices should be mounted in an overall enclosure with sufficient stability and with the specified clearances.



### technical data

#### > general

Bezel color	white
Property of bezel / mushroom	opaque
Front ring color	slate gray
Collar shape	round
Operating temperature, min.	-25 °C
Operating temperature, max.	70 °C
Storage temperature, min.	-40 °C
Storage temperature, max.	80 °C
illuminated	No
Packaging	Box
Packaging unit	10 pcs.
Net weight	13.7 g
Operating life	1,000,000 cycles
B10	1,300,000 cycles

#### direct links

- [RAFI eCatalog](#)

Degree of protection, front side, according to DIN EN 60529	IP65
Environment resistance	IEC 60068-2-14 IEC 60068-2-30 IEC 60068-2-33 IEC 60068-2-78
Minimum order quantity (MOQ)	50 pcs.
RoHS compliant	Yes
REACH compliant	Yes
Country of origin	HU
<b>&gt; mounting diameters</b>	
Outside dimension, length	29.8 mm
Outside dimension, width	29.8 mm
Outside dimension, height	32.3 mm
Mounting hole	22.3 mm
Mounting depth	56.4 mm
Installation height	9.4 mm
Grid, min.	50 x 30 mm
Collar dimension	ø 29,8 mm
<b>&gt; mechanical data</b>	
Fixing	Threaded ring
Actuation function	momentary contact function
Operating force, max.	100 N
Operating travel, max.	4 mm
Threaded ring torque, max.	1.2 Nm

## Use according to UL:

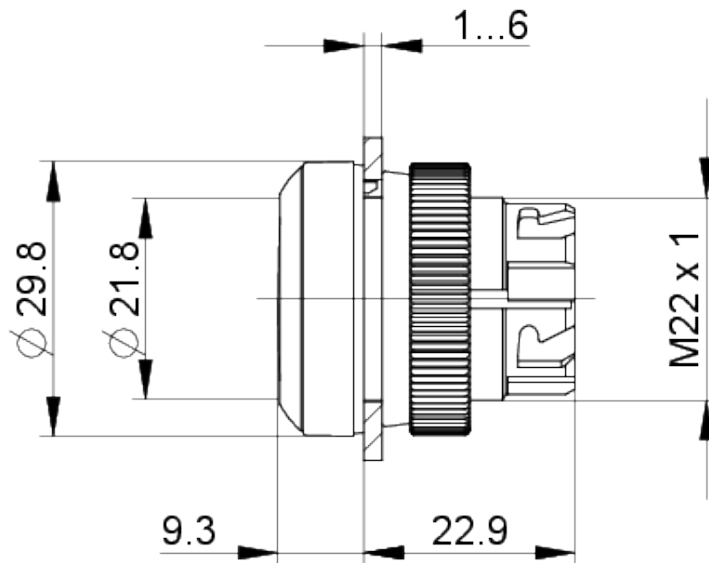
---

RAFIX control devices are defined at RAFI as modular elements, consisting of an actuating element, if necessary a coupling and an individual contact or lighting unit.

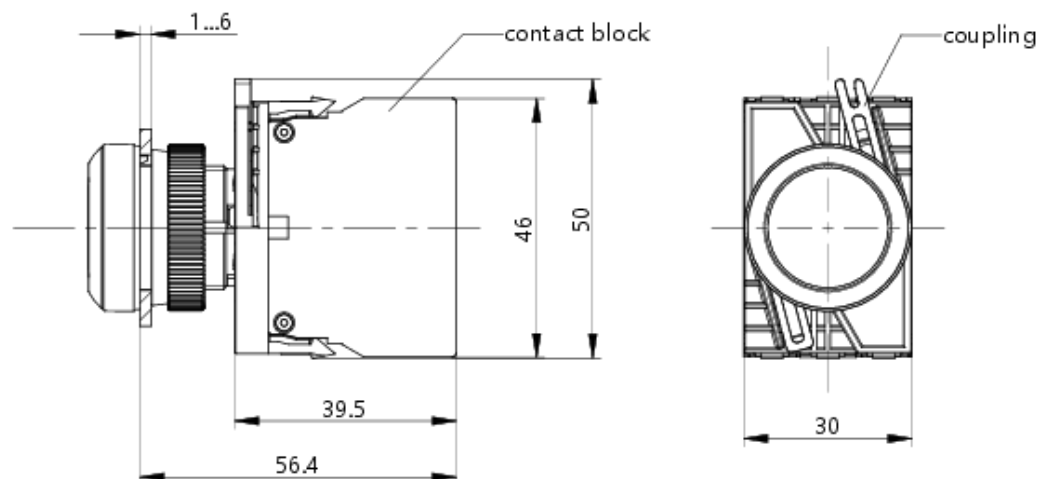
Actuating elements (such as pushbuttons, emergency stop actuators, etc.) have the intended tactility, reset and function only when assembled with the appropriate switching elements.

**drawings**

**Dimensioned drawing**



**System drawing**



front panel drawing

