

RAFIX 16 F, illuminated selector switch, round collar, 2 x 40°, momentary contact function, illuminable



Description

RAFIX command devices are modular units consisting of several parts. In the RAFIX 16 F product family, these always consist of an actuating element and a switching element, or an indicator lamp and a lamp socket. Actuating elements (such as pushbuttons or emergency stop actuators) have the specified tactility, reset and function only when assembled with the appropriate switching elements. For illuminated actuators, please use switching elements with lamp socket.

For RAFIX 16F actuators, you can choose between two collar shapes: round and square. Both are characterized by an extremely flat design. The round collar shape has an anti-rotation lug that can be easily removed with a screwdriver if necessary. The square actuators can be placed collar to collar to create a closed keypad.



technical data

> general

Property of bezel / mushroom	translucent
Collar color	metallic silver
Collar shape	round
Operating temperature, min.	-25 °C
Operating temperature, max.	70 °C
Storage temperature, min.	-40 °C
Storage temperature, max.	85 °C
illuminated	Yes
Packaging	Box
Packaging unit	10 pcs.
Net weight	10.2 g
Operating life	30,000 cycles
B10	40,000 cycles
Degree of protection, front side, according to DIN EN 60529	IP65
Environment resistance	IEC 60068-2-14 IEC 60068-2-30 IEC 60068-2-33 IEC 60068-2-78
Minimum order quantity (MOQ)	10 pcs.
RoHS compliant	Yes
REACH compliant	Yes
Country of origin	HU

> mounting diameters

Outside dimension, length	28 mm
---------------------------	-------

direct links

> [RAFI eCatalog](#)

Outside dimension, width	28 mm
Outside dimension, height	36.4 mm
Mounting hole	22.3 mm
Mounting depth	50 mm
Installation height	12.1 mm
Grid, min.	30 x 30 mm
Collar dimension	ø 28 mm

> mechanical data

Fixing	Threaded ring
Actuation function	momentary contact function
Operating torque, max.	1.3 Nm
Threaded ring torque, max.	1.2 Nm
Rotating angle	2 x 40°

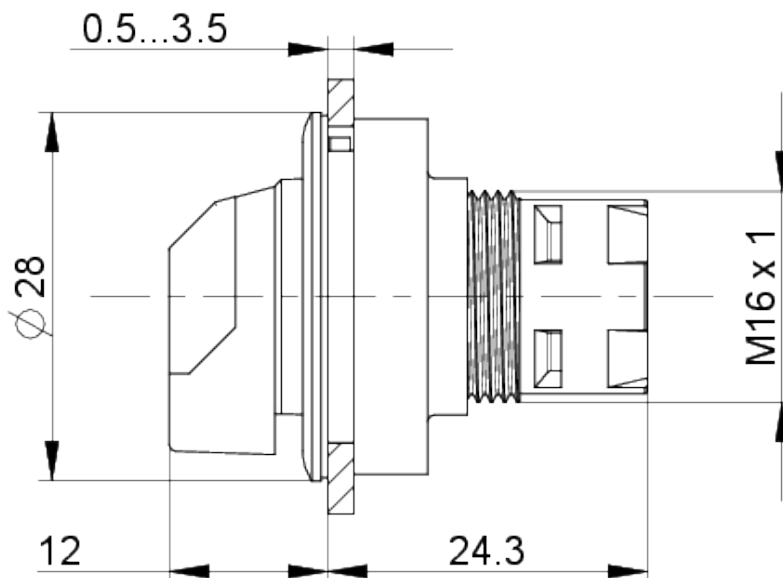
Use according to UL:

RAFIX control devices are defined at RAFI as modular elements, consisting of an actuating element, if necessary a coupling and an individual contact or lighting unit.

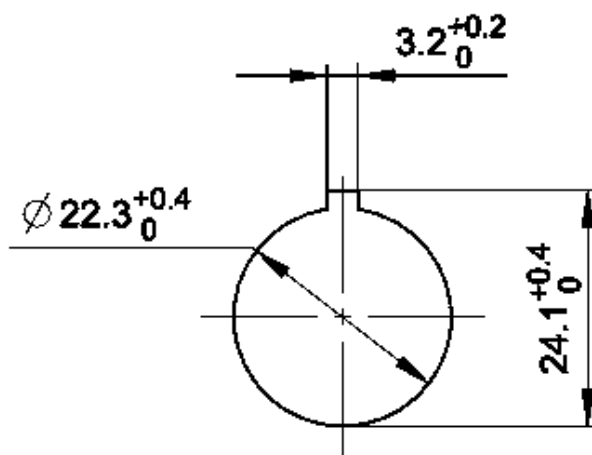
Actuating elements (such as pushbuttons, emergency stop actuators, etc.) have the intended tactility, reset and function only when assembled with the appropriate switching elements.

drawings

Dimensioned drawing



Mounting hole drawing



acc. to IEC 60947-5-1