

## RAFIX 16, potentiometer-type drive, square collar alignable in rows



### Description

Potentiometer drive, available in three collar shapes to match the design of the RAFIX 16 actuators.

For operating potentiometers with a shaft diameter of 6 mm. Suitable for rotary resistors to DIN 41 450 with shaft length of 32 mm. Potentiometer is not supplied.



### technical data

#### > general

Collar shape	square alignable in rows
Operating temperature, min.	-25 °C
Operating temperature, max.	70 °C
Storage temperature, min.	-40 °C
Storage temperature, max.	85 °C
illuminated	No
Packaging	Box
Packaging unit	2 pcs.
Net weight	11.5 g
Degree of protection, front side, according to DIN EN 60529	IP65
Environment resistance	IEC 60068-2-14 IEC 60068-2-30 IEC 60068-2-33 IEC 60068-2-78
Minimum order quantity (MOQ)	10 pcs.
RoHS compliant	Yes
REACH compliant	Yes
Country of origin	HU

#### > mounting diameters

Outside dimension, length	24.95 mm
Outside dimension, width	24.95 mm
Outside dimension, height	42.85 mm
Mounting hole	16.2 mm
Mounting depth	19.2 mm
Installation height	23.65 mm
Grid, min.	25 x 25 mm
Collar dimension	24,95 x 24,95 mm

#### > mechanical data

Fixing	Threaded ring
Threaded ring torque, max.	1.2 Nm

#### direct links

> [RAFI eCatalog](#)

## **Use according to UL:**

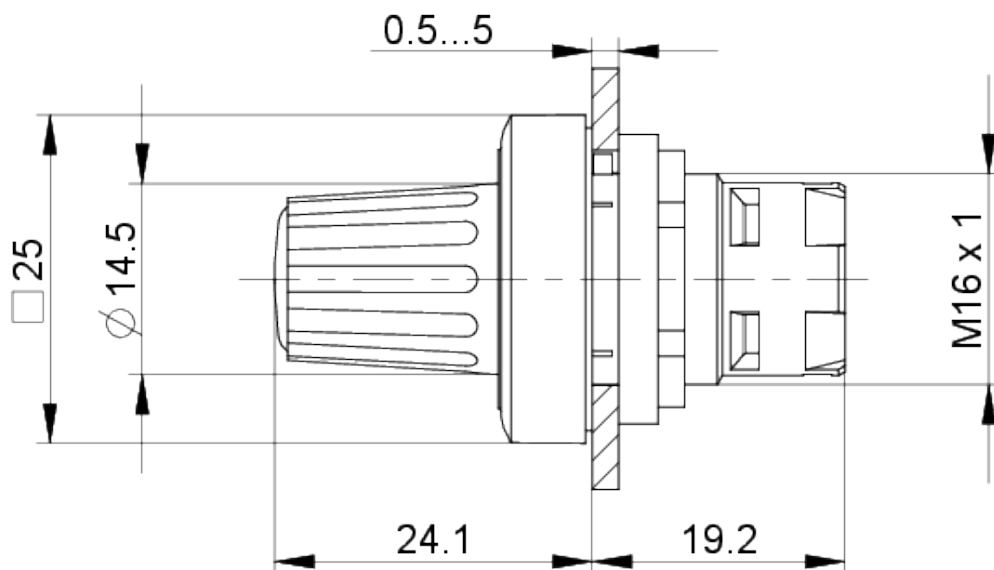
---

RAFIX control devices are defined at RAFI as modular elements, consisting of an actuating element, if necessary a coupling and an individual contact or lighting unit.

Actuating elements (such as pushbuttons, emergency stop actuators, etc.) have the intended tactility, reset and function only when assembled with the appropriate switching elements.

**drawings**

**Dimensioned drawing**



**Mounting hole drawing**

