

## RAFIX 16, potentiometer-type drive, round collar



### Description

Potentiometer drive, available in three collar shapes to match the design of the RAFIX 16 actuators.

For operating potentiometers with a shaft diameter of 6 mm. Suitable for rotary resistors to DIN 41 450 with shaft length of 32 mm. Potentiometer is not supplied.



### technical data

#### > general

|   |  |
|---|--|
| Collar shape  | round  |
| Operating temperature, min.                                 | -25 °C   |
| Operating temperature, max.                                 | 70 °C  |
| Storage temperature, min.                                   | -40 °C   |
| Storage temperature, max.                                   | 85 °C  |
| illuminated   | No   |
| Packaging   | Box  |
| Packaging unit  | 2 pcs.   |
| Net weight  | 11.3 g   |
| Degree of protection, front side, according to DIN EN 60529 | IP65   |
| Environment resistance                                      | IEC 60068-2-14<br>IEC 60068-2-30<br>IEC 60068-2-33<br>IEC 60068-2-78 |
| Minimum order quantity (MOQ)                                | 10 pcs.  |
| RoHS compliant  | Yes  |
| REACH compliant   | Yes  |
| Country of origin   | HU   |

#### > mounting diameters

|                           |            |
|---------------------------|------------|
| Outside dimension, length | 24.95 mm   |
| Outside dimension, width  | 24.95 mm   |
| Outside dimension, height | 42.85 mm   |
| Mounting hole             | 16.2 mm    |
| Mounting depth            | 19.2 mm    |
| Installation height       | 23.65 mm   |
| Grid, min.                | 25 x 25 mm |
| Collar dimension          | ø 24,95 mm |

#### > mechanical data

|                            |               |
|----------------------------|---------------|
| Fixing                     | Threaded ring |
| Threaded ring torque, max. | 1.2 Nm        |

#### direct links

> [RAFI eCatalog](#)

**Use according to UL:**

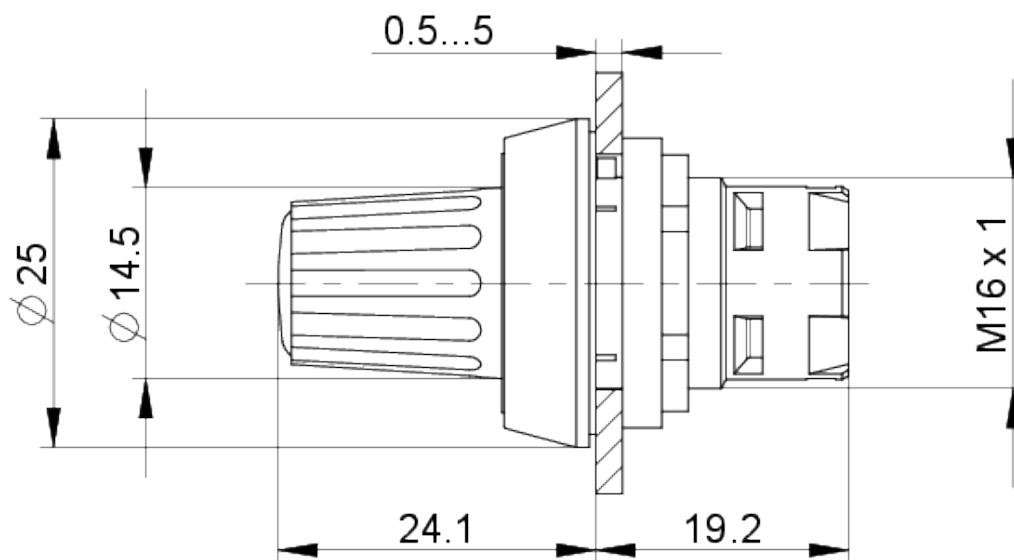
---

RAFIX control devices are defined at RAFI as modular elements, consisting of an actuating element, if necessary a coupling and an individual contact or lighting unit.

Actuating elements (such as pushbuttons, emergency stop actuators, etc.) have the intended tactility, reset and function only when assembled with the appropriate switching elements.

**drawings**

**Dimensioned drawing**



**Mounting hole drawing**

