

## RAFIX 16, keylock switch, square collar, 1 x 90°, shape V, latching, key removal position 0



### Description

RAFIX control units are modular units consisting of several parts. In the RAFIX 16 product family, these always consist of an actuating element and a switching element. Actuating elements (such as key switches) have the specified tactility, reset and function only when assembled with the appropriate switching elements.

With RAFIX 16 actuating elements, you can choose between three collar shapes: round, square or square side-by-side, in which the pushbuttons can be lined up seamlessly. The mounting diameter is 16.2 mm according to the standard. The anti-rotation lug can be easily removed with a screwdriver if necessary.



### technical data

#### > general

Scope of delivery	2 keys
Collar shape	square
Operating temperature, min.	-25 °C
Operating temperature, max.	70 °C
Storage temperature, min.	-40 °C
Storage temperature, max.	85 °C
illuminated	No
Packaging	Box
Packaging unit	2 pcs.
Net weight	16.1 g
Operating life	65,000 cycles
Degree of protection, front side, according to DIN EN 60529	IP65
Environment resistance	IEC 60068-2-14 IEC 60068-2-30 IEC 60068-2-33 IEC 60068-2-78
Protection class	II
Minimum order quantity (MOQ)	10 pcs.
RoHS compliant	Yes
REACH compliant	Yes
Country of origin	HU

#### > mounting diameters

Outside dimension, length	24.95 mm
---------------------------	----------

#### direct links

> [RAFI eCatalog](#)

Outside dimension, width	24.95 mm
Outside dimension, height	47.15 mm
Mounting hole	16.2 mm
Mounting depth	44.7 mm
Installation height	27.95 mm
Grid, min.	25 x 25 mm
Collar dimension	24,95 x 24,95 mm

**> mechanical data**

Key removal position	0
Number of locking positions	500
Fixing	Threaded ring
Actuation function	latching
Operating torque, max.	1.3 Nm
Threaded ring torque, max.	1.2 Nm
Rotating angle	1 x 90°, shape V
Locking position	1

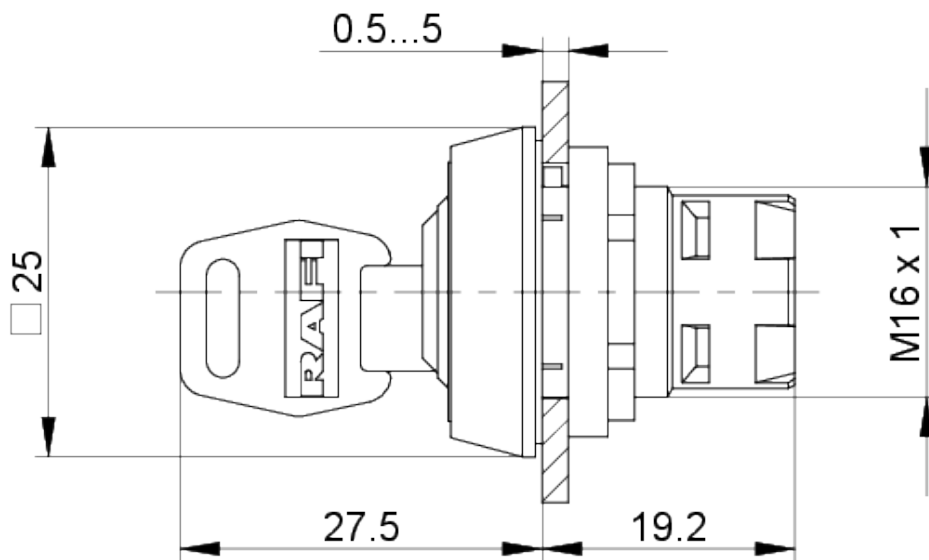
**Use according to UL:**

RAFIX control devices are defined at RAFI as modular elements, consisting of an actuating element, if necessary a coupling and an individual contact or lighting unit.

Actuating elements (such as pushbuttons, emergency stop actuators, etc.) have the intended tactility, reset and function only when assembled with the appropriate switching elements.

**drawings**

**Dimensioned drawing**



**Mounting hole drawing**

