

E-BOX XL IO-LINK, 5 installation points, with e-stop

NEW


Description

IO-LINK products make it easy to get started and can be quickly integrated into existing environments thanks to the use of standardized M12 connectors. Easily connected and individually parameterized, the E-BOX offers a housing concept with up to 6 installation points. The E-BOX IO-LINK and E-BOX XL IO-LINK are delivered as fully assembled housing solutions. The replacement of single installation points and their actuators is not intended.

Mounting

- Use a flat mounting surface for installation.
- Fix the device to the mounting surface with two mounting screws with a diameter of max. 5.3 mm and a head diameter of max. 9.5 mm. A tightening torque of 2 Nm is recommended for the mounting screws.

Parameterization

- Flexible color selection: 5 standard colors plus 3 freely selectable RGB colors
- Night mode with different brightness levels and various flashing modes
- Can be diagnosed via the control unit: temperature and monitoring of switching cycles
- Buzzer with various sound modes



technical data

➤ general

| | |
|-----------------------------|--------------------------------|
| Feature | with e-stop |
| Actuator position 1 | FLEXLAB illuminated pushbutton |
| Actuator position 2 | FLEXLAB illuminated pushbutton |
| Actuator position 3 | FLEXLAB illuminated pushbutton |
| Actuator position 4 | FLEXLAB illuminated pushbutton |
| Actuator position 5 | Emergency stop |
| Installation points | 5 pcs. |
| Color | light gray |
| Luminous element color | RGB |
| Operating temperature, min. | -30 °C |
| Operating temperature, max. | 60 °C |
| Storage temperature, min. | -40 °C |
| Storage temperature, max. | 80 °C |
| illuminated | Yes |
| Luminous elements | LED |
| Packaging | Box |

direct links

- [RAFI eCatalog](#)

| | |
|-------------------------------------------------------------|----------------------------------------------------------------------------------------------------------------------------------------------------------------------------|
| Packaging unit | 1 pcs. |
| Net weight | 328 g |
| Operating life E-Stop | 50,000 cycles |
| B10 E-Stop | 65,000 cycles |
| B10d | 130,000 cycles |
| Operating life Illuminated pushbutton | 1,000,000 cycles |
| B10 Illuminated pushbutton | 1,300,000 cycles |
| Degree of protection, front side, according to DIN EN 60529 | IP65 |
| Degree of protection, rear side, according to DIN EN 60529 | IP65 |
| Environment resistance | IEC 60068-2-14 IEC 60068-2-30 IEC 60068-2-78 |
| Shock resistance according to standard IEC 60068-2-27 | 50 g at 11 ms amplitude semi-sinusoidal |
| Vibration resistance according to standard IEC 60068-2-6 | 5 g at 10 - 500 Hz |
| Vibration resistance according to standard IEC 60068-2-64 | 5 g at 10 - 500 Hz |
| Salt-spray resistance according to standard | IEC 60068-2-11 |
| Chemical resistance according to standard | ISO 16750-5 |
| UV resistance according to ISO 4892-2 | Method A: Artificial weathering |
| Impact resistance IK | 07 side 07 frontal |
| Protection class | II |
| Minimum order quantity (MOQ) | 1 pcs. |
| EMC | DIN EN 61000-6-2 Interference immunity industry DIN EN 61000-6-3 Interference emission living area DIN EN 61131-9 Single-drop digital communication interface (SDCI) |
| IO-Link version | Interface and System Specification 1.1.4 |
| communication mode IO-Link | COM2 / 38.4 kBaud |
| cycle time | 6.2 ms |
| Firmware Update | Yes over IO-Link Master |
| Pollution degree acc. to DIN EN 61010-1 | Pollution degree 2 |
| RoHS compliant | Yes |
| REACH compliant | Yes |
| > mounting diameters | |
| Outside dimension, length | 350 mm |
| Outside dimension, width | 40.5 mm |
| Outside dimension, height | 63.8 mm |
| > mechanical data | |

1.24.503.001/0000

| | |
|-----------------------------------|------------------------|
| Connector IO-Link | M12 male 4-pin A-coded |
| Connector E-Stop | M12 male 5-pin A-coded |
| Tightening torque screws mounting | 2 Nm |
| Fixing | Screw |

> electrical data

| | |
|-------------------------|----------------|
| Operating voltage, min. | 18 V |
| Operating voltage, max. | 30 V |
| Rated voltage, min. | 0.02 V |
| Rated voltage, max. | 35 V |
| Voltage type | DC |
| Rated operating voltage | 24 V |
| Operating current, max. | 170 mA |
| Rated current, min. | 0.001 A |
| Rated current, max. | 0.1 A |
| Rated power, max. | 0.25 W |
| Categories of use | AC-15 DC-13 |

> Specifications according to UL 60947

| | |
|---------------------------------------|-----------------------|
| Rated voltage, max. | 30 V DC (42,4 V peak) |
| UL Enclosure Type Rating front side | type 4X indoor |
| Operating temperature, max. to UL/TÜV | 60 °C |

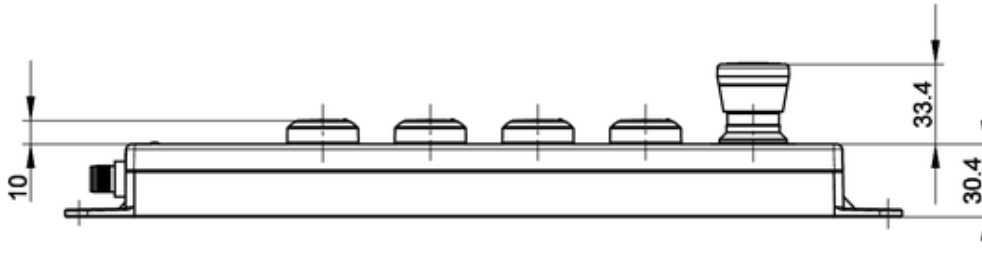
Use according to UL:

Type 4x indoor only with cables as listed in E-File E325311 as "Cat. Nos. 7xxx-yyyyy-zzz(+)" where 'xxx' is any 3 digits number, 'yyyyy' is a five digit combination, 'zzz' is followed by any combination of 3 numbers and/or letters, (+) followed by 4 digits number representing cable length."

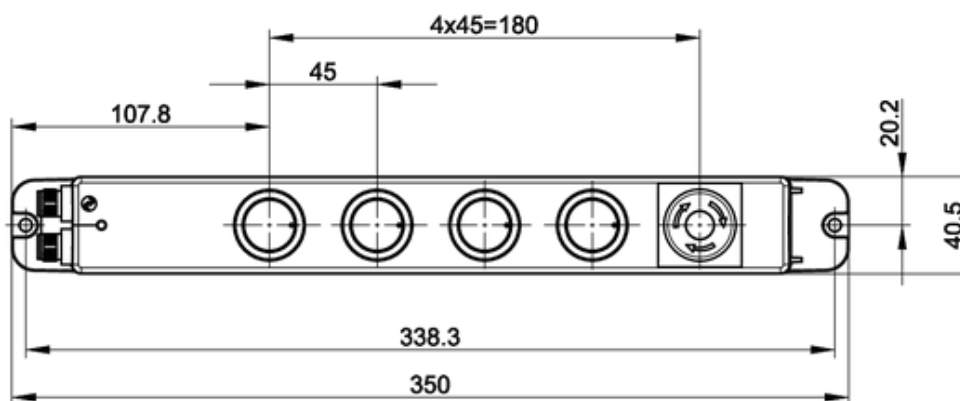
Only approved for Class 2 power sources or limited voltage/current. For connecting the device use UL certificated cables of category CYJV or PVVA.

drawings

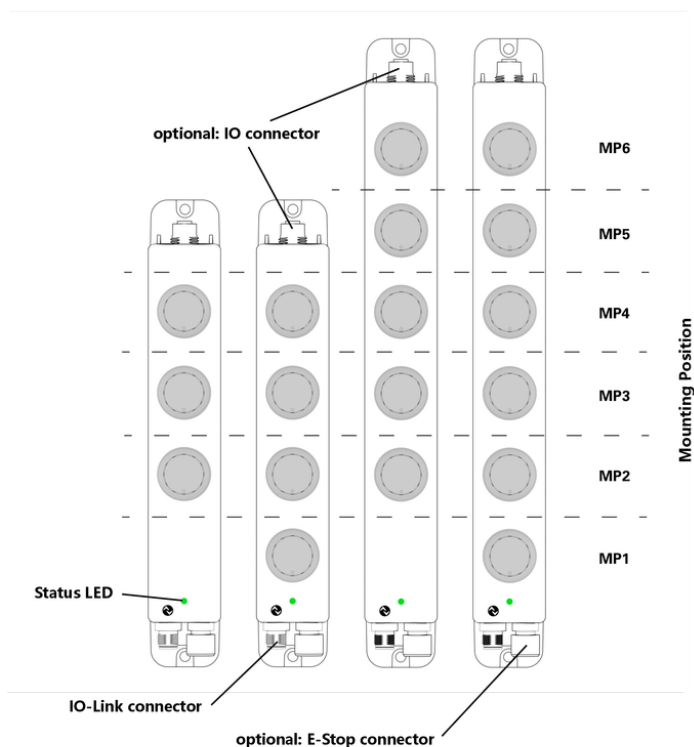
Dimensioned drawing



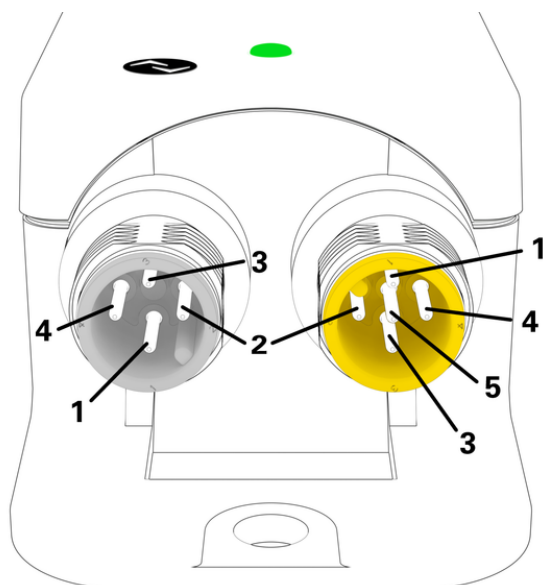
Dimensioned drawing



System drawing



Connection drawing



IO-Link connector

M12, 4-pole, a-coded

- PIN 1: L+ (+24 VCC)
- PIN 2: n.c.
- PIN 3: L- (GND)
- PIN 4: C/Q (IO-Link data)

E-Stop connector

M12, 5-pole, a-coded

- PIN 1: NC - contact 1
- PIN 2: NC - contact 2
- PIN 3: n.c.
- PIN 4: NC - contact 1
- PIN 5: NC - contact 2

mounting**RAFI****Montageanleitung für
E-BOX XL IO-LINK****Version: 1.0 vom 03.12.2025
Original in Deutsch**

Folgen Sie dieser Montageanleitung für einen ordnungsgemäßen und sicheren Gebrauch. Bewahren Sie diese für die spätere Verwendung auf.