

## E-BOX XL IO-LINK, 5 installation points

NEW



### Description

IO-LINK products make it easy to get started and can be quickly integrated into existing environments thanks to the use of standardized M12 connectors. Easily connected and individually parameterized, the E-BOX offers a housing concept with up to 6 installation points. The E-BOX IO-LINK and E-BOX XL IO-LINK are delivered as fully assembled housing solutions. The replacement of single installation points and their actuators is not intended.

### Mounting

- Use a flat mounting surface for installation.
- Fix the device to the mounting surface with two mounting screws with a diameter of max. 5.3 mm and a head diameter of max. 9.5 mm. A tightening torque of 2 Nm is recommended for the mounting screws.

### Parameterization

- Flexible color selection: 5 standard colors plus 3 freely selectable RGB colors
- Night mode with different brightness levels and various flashing modes
- Can be diagnosed via the control unit: temperature and monitoring of switching cycles
- Buzzer with various sound modes



## technical data

### ➤ general

|                             |                                |
|-----------------------------|--------------------------------|
| Actuator position 1         | FLEXLAB illuminated pushbutton |
| Actuator position 2         | FLEXLAB illuminated pushbutton |
| Actuator position 3         | FLEXLAB illuminated pushbutton |
| Actuator position 4         | FLEXLAB illuminated pushbutton |
| Actuator position 5         | FLEXLAB illuminated pushbutton |
| Installation points         | 5 pcs.                         |
| Color                       | light gray                     |
| Luminous element color      | RGB                            |
| Operating temperature, min. | -30 °C                         |
| Operating temperature, max. | 60 °C                          |
| Storage temperature, min.   | -40 °C                         |
| Storage temperature, max.   | 80 °C                          |
| illuminated                 | Yes                            |
| Luminous elements           | LED                            |
| Packaging                   | Box                            |
| Packaging unit              | 1 pcs.                         |

### direct links

- [RAFI eCatalog](#)

|   |  |
|---|--|
| Net weight  | 318 g  |
| Operating life Illuminated pushbutton                       | 1,000,000 cycles   |
| B10 Illuminated pushbutton                                  | 1,300,000 cycles   |
| Degree of protection, front side, according to DIN EN 60529 | IP65   |
| Degree of protection, rear side, according to DIN EN 60529  | IP65   |
| Environment resistance                                      | IEC 60068-2-14<br>IEC 60068-2-30<br>IEC 60068-2-78   |
| Shock resistance according to standard IEC 60068-2-27       | 50 g at 11 ms amplitude semi-sinusoidal  |
| Vibration resistance according to standard IEC 60068-2-6    | 5 g at 10 - 500 Hz   |
| Vibration resistance according to standard IEC 60068-2-64   | 5 g at 10 - 500 Hz   |
| Salt-spray resistance according to standard                 | IEC 60068-2-11   |
| Chemical resistance according to standard                   | ISO 16750-5  |
| UV resistance according to ISO 4892-2                       | Method A: Artificial weathering  |
| Impact resistance IK  | 07 side<br>07 frontal  |
| Protection class  | II   |
| Minimum order quantity (MOQ)                                | 1 pcs.   |
| EMC   | DIN EN 61000-6-2 Interference immunity industry<br>DIN EN 61000-6-3 Interference emission living area<br>DIN EN 61131-9 Single-drop digital communication interface (SDCI) |
| IO-Link version   | Interface and System Specification 1.1.4   |
| communication mode IO-Link                                  | COM2 / 38.4 kBaud  |
| cycle time  | 6.2 ms   |
| Firmware Update   | Yes over IO-Link Master  |
| Pollution degree acc. to DIN EN 61010-1                     | Pollution degree 2   |
| RoHS compliant  | Yes  |
| REACH compliant   | Yes  |
| <b>&gt; mounting diameters</b>                              |  |
| Outside dimension, length                                   | 350 mm   |
| Outside dimension, width                                    | 40.5 mm  |
| Outside dimension, height                                   | 40.4 mm  |
| <b>&gt; mechanical data</b>                                 |  |
| Connector IO-Link   | M12 male 4-pin A-coded   |
| Tightening torque screws mounting                           | 2 Nm   |
| Fixing  | Screw  |

**1.24.500.001/0000****> electrical data**

|                         |        |
|-------------------------|--------|
| Operating voltage, min. | 18 V   |
| Operating voltage, max. | 30 V   |
| Voltage type            | DC     |
| Rated operating voltage | 24 V   |
| Operating current, max. | 190 mA |

**> Specifications according to UL 60947**

|                                       |                       |
|---------------------------------------|-----------------------|
| Rated voltage, max.                   | 30 V DC (42,4 V peak) |
| UL Enclosure Type Rating front side   | type 4X indoor        |
| Operating temperature, max. to UL/TÜV | 60 °C                 |

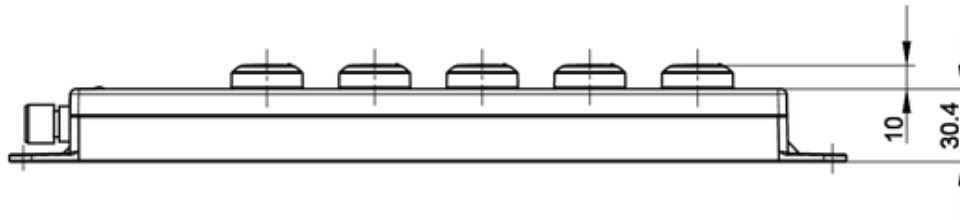
**Use according to UL:**

Type 4x indoor only with cables as listed in E-File E325311 as "Cat. Nos. 7xxx-yyyzz(+) where 'xxx' is any 3 digits number, 'yyyyy' is a five digit combination, 'zzz' is followed by any combination of 3 numbers and/or letters, (+) followed by 4 digits number representing cable length."

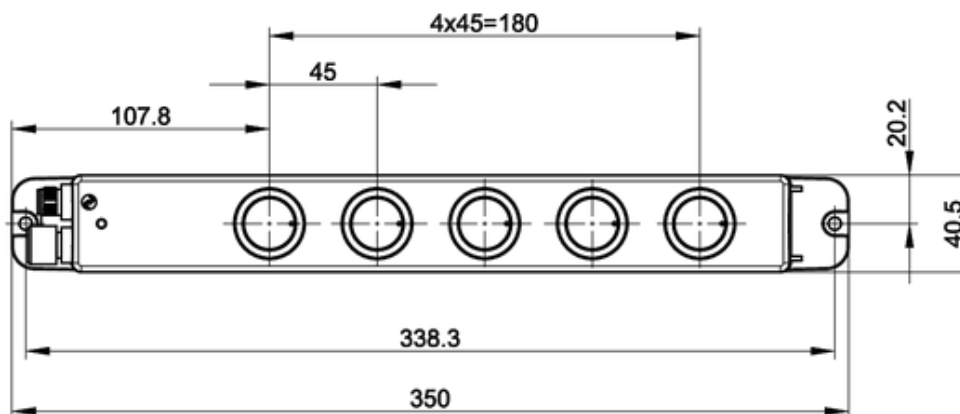
Only approved for Class 2 power sources or limited voltage/current. For connecting the device use UL certificated cables of category CYJV or PVVA.

**drawings**

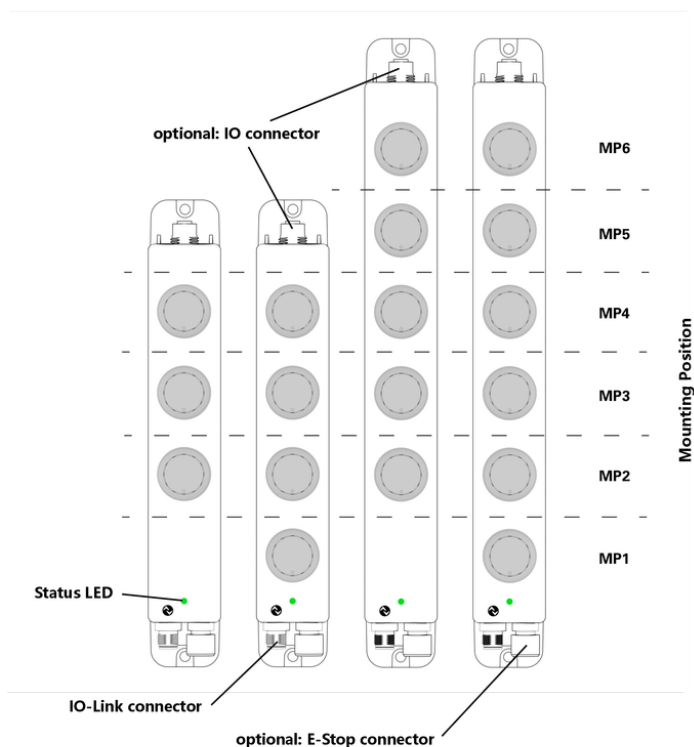
**Dimensioned drawing**



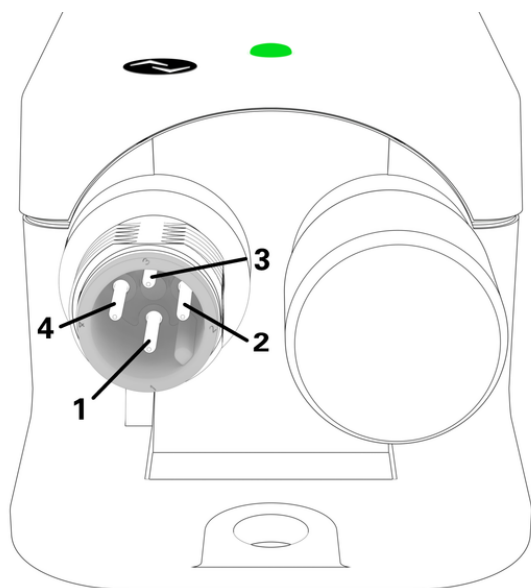
**Dimensioned drawing**



**System drawing**



**Connection drawing**



**IO-Link connector**

M12, 4-pole, a-coded

PIN 1: L+ (+24 VCC)

PIN 2: n.c.

PIN 3: L- (GND)

PIN 4: C/Q (IO-Link data)

**mounting****RAFI****Montageanleitung für  
E-BOX XL IO-LINK****Version: 1.0 vom 03.12.2025  
Original in Deutsch**

Folgen Sie dieser Montageanleitung für einen ordnungsgemäßen und sicheren Gebrauch. Bewahren Sie diese für die spätere Verwendung auf.