

E-BOX IO-LINK, 2 illuminated pushbuttons, momentary contact function, frontring metallic silver, 2 NO, bezel transparent



Description

IO-LINK products make it easy to get started and can be quickly integrated into existing environments thanks to the use of standardized M12 connectors. Easily connected and individually parameterized, the E-BOX offers a housing concept with up to 6 installation points. The E-BOX IO-LINK and E-BOX XL IO-LINK are delivered as fully assembled housing solutions. The replacement of single installation points and their actuators is not intended.

Mounting

- › By mounting clip on aluminum profile
- › Mounting clip screwable onto other surfaces

Parameterization

- › Night mode with different brightness levels
- › Flexible color selection: 5 standard colors plus 3 freely selectable RGB color
- › 4 different flashing modes
- › Can be diagnosed via the controller



technical data

› general

Actuator position 1	Illuminated pushbutton
Actuator position 2	Illuminated pushbutton
Color	light gray
Bezel color	transparent
Property of bezel / mushroom	translucent
Front ring color	metallic silver
Luminous element color	RGB
Collar shape	round
Operating temperature, min.	-30 °C
Operating temperature, max.	60 °C
Storage temperature, min.	-40 °C
Storage temperature, max.	80 °C
illuminated	Yes
Luminous elements	LED
Packaging	Box
Packaging unit	1 pcs.
Net weight	120.9 g

direct links

- › [RAFI eCatalog](#)

1.24.200.001/0000

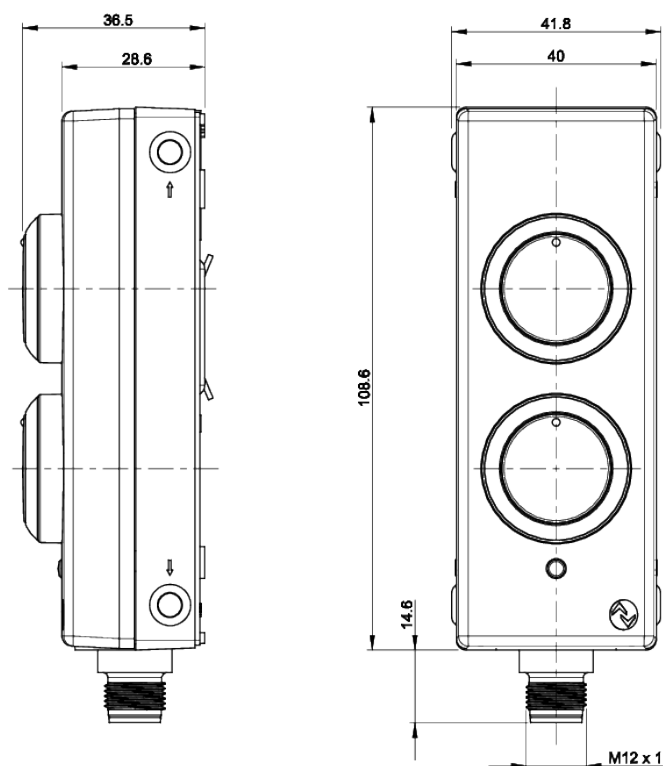
Operating life	1,000,000 cycles
Degree of protection, front side, according to DIN EN 60529	IP65
Degree of protection, rear side, according to DIN EN 60529	IP65
Shock resistance according to standard IEC 60068-2-27	50 g at 11 ms amplitude semi-sinusoidal
Oscillation resistance according to standard IEC 60068-2-6	5 g at 10...500 Hz
Minimum order quantity (MOQ)	1 pcs.
EMC	DIN EN 61000-6-2 Interference immunity industry DIN EN 61000-6-3 Interference emission living area DIN EN 61131-9 Single-drop digital communication interface (SDCI)
IO-Link version	Interface and System Specification 1.1.2
communication mode IO-Link	COM2 / 38.4 kBaud
cycle time	5 ms
Firmware Update	Yes over IO-Link Master
Pollution degree acc. to DIN EN 61010-1	Pollution degree 2
RoHS compliant	Yes
REACH compliant	Yes
Country of origin	HU
> mounting diameters	
Outside dimension, length	123.2 mm
Outside dimension, width	40 mm
Outside dimension, height	35.6 mm
> mechanical data	
Connector IO-Link	M12 male 4-pin A-coded
Fixing	Assembly clip
Actuation function	momentary contact function
Contact function	2 NO
PIN 1	L+
PIN 2	-
PIN 3	L-
PIN 4	C/Q
> electrical data	
Operating voltage, min.	19.2 V
Operating voltage, max.	28.8 V
Voltage type	DC
Rated operating voltage	24 V
Operating current, max.	100 mA
> Specifications according to UL 60947	
Rated voltage, max.	30 V DC (42,4 V peak)
Operating temperature, max. to UL/TÜV	60 °C

Use according to UL:

Only approved for Class 2 power sources or limited voltage/current. For connecting the device use UL certificated cables of category CYJV or PVVA.

drawings

Dimensioned drawing



Connection drawing

