

E-BOX M12, 2 pushbuttons, M12 4-pin A-coded, light gray



Description

The E-Box M12 is a ready-to-connect, completely equipped housing including actuator and switching elements. Thus, for example, emergency stop, on/off and up/down functions, also with additional status displays, can be implemented with the very compact dimensions of the E-Box. The assembly: Screw on the clip, put on the box, connect the plug, check and ready. The E-Box M12 can be used wherever individual command device units are required at decentralized locations. Typically, for example, for emergency stop applications along a production facility or at the safety fence. The dimensions of the E-Box M12 are based on the edge dimensions of a 40 mm profile rail and the mounting concept is also designed for this.



technical data

> general

Actuator position 1	Pushbuttons
Actuator position 2	Pushbuttons
Color	light gray
Bezel color	black
Property of bezel / mushroom	opaque
Collar color	dark gray
Front ring color	black
Operating temperature, min.	-25 °C
Operating temperature, max.	70 °C
Storage temperature, min.	-40 °C
Storage temperature, max.	80 °C
illuminated	No
Packaging	Box
Packaging unit	1 pcs.
Net weight	105 g
Operating life electrical	1.000.000 (10mA / 24V DC) cycles
B10 electrical	1.300.000 (10mA / 24V DC) cycles
Degree of protection, front side, according to DIN EN 60529	IP65
Degree of protection, rear side, according to DIN EN 60529	IP65
Protection class	II
Minimum order quantity (MOQ)	5 pcs.
RoHS compliant	Yes
REACH compliant	Yes

> mounting diameters

Outside dimension, length	123.2 mm
Outside dimension, width	40 mm
Outside dimension, height	39.5 mm

> mechanical data

direct links

> [RAFI eCatalog](#)

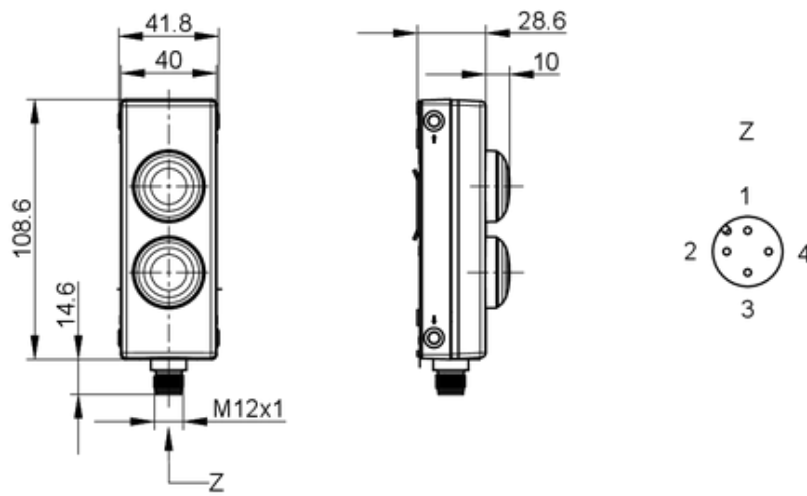
Terminal on the rear	M12 4-pin A-coded
Fixing	Assembly clip
Contact function	2 NO
Contact material	Gold
PIN 1	Normally open contact 2
PIN 2	Normally open contact 2
PIN 3	Normally open contact 1
PIN 4	Normally open contact 1

> electrical data

Rated voltage, min.	5 V
Rated voltage, max.	35 V
Voltage type	AC / DC
Rated operating voltage	5-35 V
Rated current, min.	0.001 A
Rated current, max.	0.1 A
Rated power, max.	0.25 W
Power loss	0.00030 W

drawings

Dimensioned drawing



Schematic diagram

