

E-BOX M12, emergency stop, M12 8-pin A-coded, yellow

Description



The E-Box M12 is a ready-to-connect, completely equipped housing including actuator and switching elements. Thus, for example, emergency stop, on/off and up/down functions, also with additional status displays, can be implemented with the very compact dimensions of the E-Box. The assembly: Screw on the clip, put on the box, connect the plug, check and ready. The E-Box M12 can be used wherever individual command device units are required at decentralized locations. Typically, for example, for emergency stop applications along a production facility or at the safety fence. The dimensions of the E-Box M12 are based on the edge dimensions of a 40 mm profile rail and the mounting concept is also designed for this.



technical data

> general

Actuator position 1	Emergency stop
Color	yellow
Color of mushroom	red
Operating temperature, min.	-25 °C
Operating temperature, max.	70 °C
Storage temperature, min.	-40 °C
Storage temperature, max.	80 °C
illuminated	No
Packaging	Box
Packaging unit	1 pcs.
Net weight	108 g
Operating life	50,000 cycles
B10	65,000 cycles
B10d	130,000 cycles
Degree of protection, front side, according to DIN EN 60529	IP65
Degree of protection, rear side, according to DIN EN 60529	IP65
Protection class	II
Minimum order quantity (MOQ)	5 pcs.
RoHS compliant	Yes
REACH compliant	Yes
Country of origin	HU

> mounting diameters

Outside dimension, length	123.2 mm
Outside dimension, width	40 mm
Outside dimension, height	60.2 mm

> mechanical data

Terminal on the rear	M12 8-pin A-coded
Fixing	Assembly clip

direct links

> [RAFI eCatalog](#)

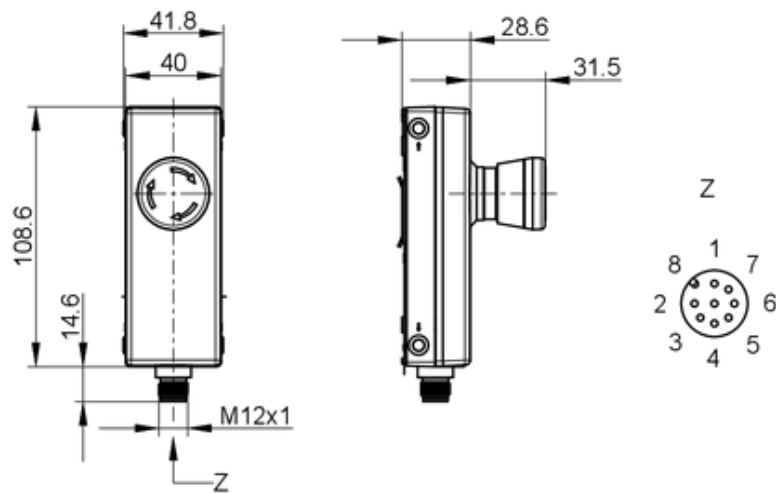
Contact function	2 NC + 1 signaling contact
Contact material	Gold
PIN 3	Normally open contact 1
PIN 4	Normally open contact 1
PIN 5	Normally closed contact 1
PIN 6	Normally closed contact 1
PIN 7	Normally closed contact 2
PIN 8	Normally closed contact 2
Resetting	by rotating

> electrical data

Rated voltage, min.	5 V
Rated voltage, max.	35 V
Voltage type	AC / DC
Rated operating voltage	5-35 V
Rated current, min.	0.001 A
Rated current, max.	0.1 A
Rated power, max.	0.25 W
Power loss	0.00030 W

drawings

Dimensioned drawing



Schematic diagram

