

# LUMOTAST 16, mushroom-headed pushbutton, 2 NC + 1 NO, Silver, Flat quick-connect terminal 2.8 x 0.5 tin-plated, reset by rotating, Mushroom head red, arrows red



## Description

Thanks to its small installation dimensions and high degree of protection, the LUMOTAST 16 mushroom pushbutton offers a mushroom pushbutton for a wide range of applications and uses in the industrial sector.



## technical data

### > general

Color of mushroom	red
Legending color	red
Collar shape	round
Operating temperature, min.	-25 °C
Operating temperature, max.	70 °C
Storage temperature, min.	-40 °C
Storage temperature, max.	80 °C
illuminated	No
Packaging	Box
Packaging unit	10 pcs.
Net weight	13.6 g
Operating life	30,000 cycles
B10	50,000 cycles
Degree of protection, front side, according to DIN EN 60529	IP65 IP67
Environment resistance	IEC 60068-2-27 IEC 60068-2-30
Impact resistance IK	05 side 05 frontal
Minimum order quantity (MOQ)	10 pcs.
RoHS compliant	Yes
REACH compliant	Yes
Country of origin	HU

### > mounting diameters

Outside dimension, length	29.6 mm
Outside dimension, width	29,6 mm
Outside dimension, height	40.6 mm
Mounting hole	16.2 mm
Mounting depth	18.2 mm
Installation height	22.6 mm

### direct links

> [RAFI eCatalog](#)

**> mechanical data**

Terminal on the rear	Flat quick-connect terminal 2.8 x 0.5 tin-plated
Fixing	Threaded ring
Actuation function	latching
Threaded ring torque, max.	1.5 Nm
Contact function	2 NC + 1 NO
Contact material	Silver
Solderability	Yes
Resetting	by rotating

**> electrical data**

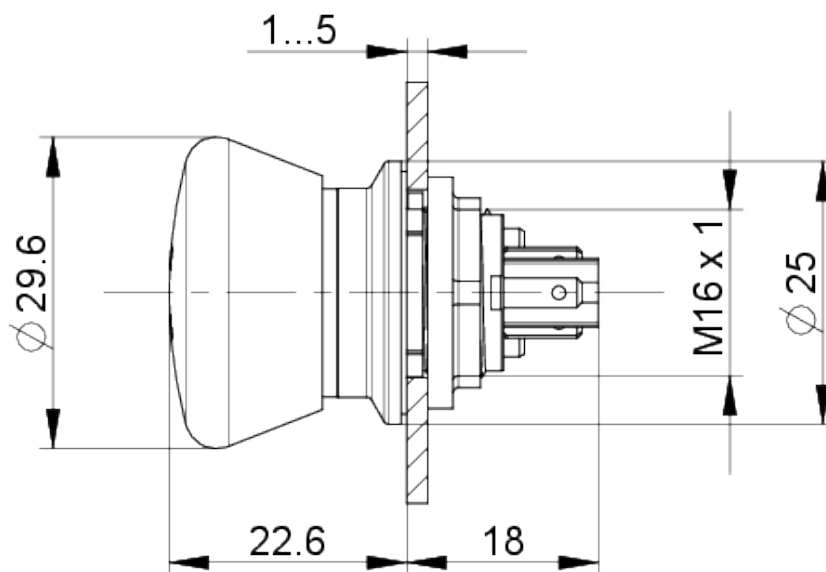
Rated insulation voltage	250 V
Rated voltage, min.	10 V
Voltage type	AC / DC
Rated operating voltage	0.01-250 V
Rated current, min.	0.015 A
Rated power, max.	250 W
Category of use AC-15 / B300	240 V / 1,5 A (IEC 60947)
	35 V / 5 A (IEC 60947)
Category of use DC-13 / Q300	35 V / 2 A (IEC60947)
	250 V / 0,27 A (IEC)

**> Specifications according to UL 60947**

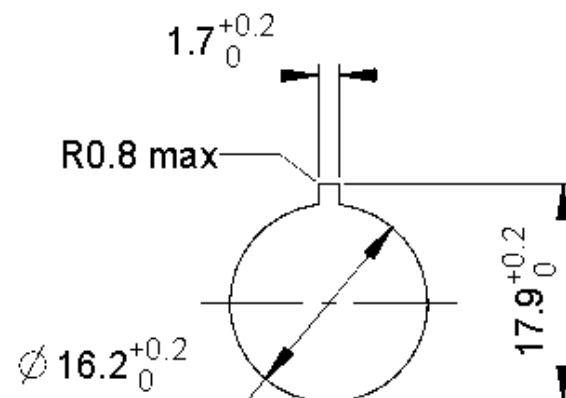
Rated voltage, max.	35 V / 2 A (AC / DC)
---------------------	----------------------

**drawings**

**Dimensioned drawing**



**Mounting hole drawing**



**Schematic diagram**

